

1 INSTALL ITEM 57 RETAINING RING AFTER ITEM 58 IS INSERTED INTO ITEM 51

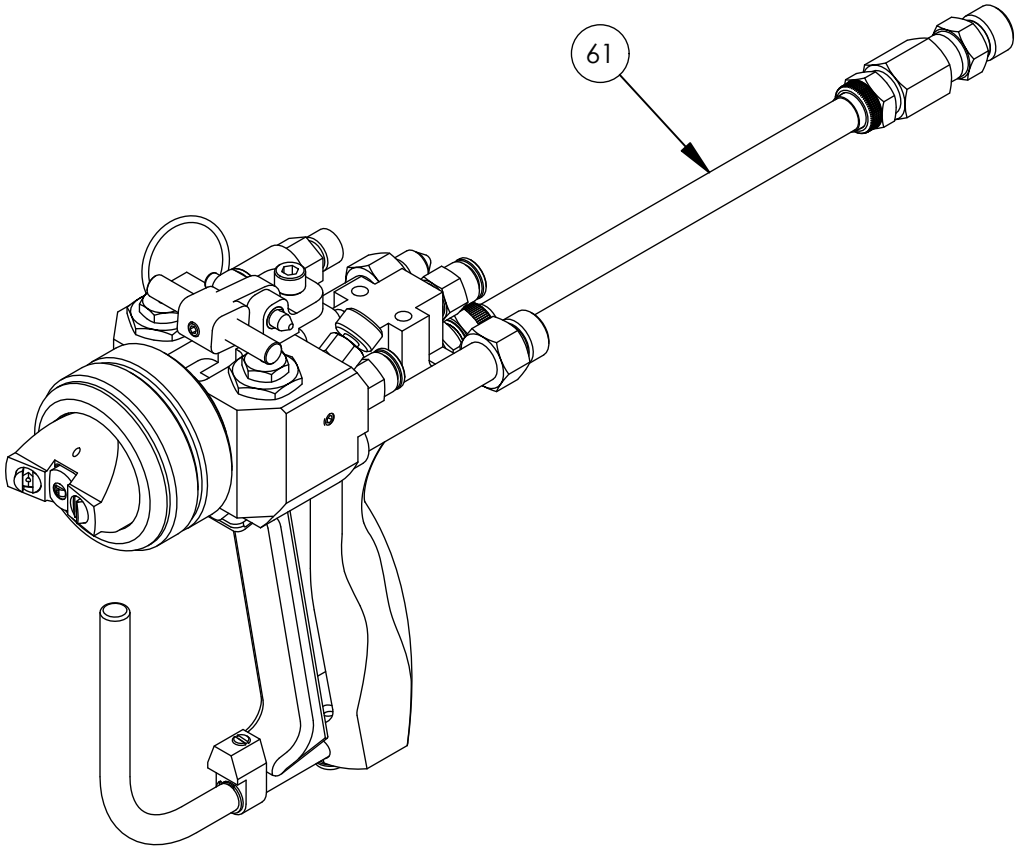
MAGNUM VENUS PRODUCTS

TALON EXTERNAL MIX GELCOAT GUN WITH SIGNAL TLN2-XG-400S

REV:

SHEET 1 / 3

7/17/2023



MAGNUM VENUS PRODUCTS

TALON EXTERNAL MIX GELCOAT GUN WITH SIGNAL	TLN2-XG-400S
--------------------------------------------	--------------

Parts List			
ITEM	PART NUMBER	QTY	DESCRIPTION
1	TLN-3001-01	1	GUN HEAD ASSEMBLY
2	TLN-1005	1	RESIN FITTING
* 3	O-E-015	1	O-RING
* 4	O-E-027	1	O-RING
5	TLN-2013	1	RETAINING RING
6	TLN-2009	1	TRIGGER GUARD
7	TLN-2036	1	TRIGGER STOP
8	TLN-1031	2	RETAINING RING
9	TLN-2065	1	TRIGGER
10	TLN-2006	2	PLUG
11	F-CS-04F-12	2	CAP SCREW
* 12	O-E-008	2	O-RING
13	F-BHCS-832-06	1	BUTTON HEAD CAP SCREW
14	04070-1	1	COMPRESSION SPRING
15	LWG-6527	1	SPRING PLUNGER
* 16	O-E-013	2	O-RING
* 17	O-E-012	3	O-RING
18	TLN-2016	1	ACTUATING ROD
19	TLN-2043	2	CERAMIC BALL
20	TLN-2044	1	SPRING
21	F-QP-03-12	1	QUICK RELEASE PIN
22	TLN-2028-01	1	MATERIAL CARTRIDGE
23	TLN-2021	2	ROD SEAL HOUSING
* 24	TLN-2029	2	ROD SEAL ASSEMBLY
* 25	O-E-3-903	1	O-RING
26	F-CS-1224-12	1	CAP SCREW
* 27	O-S-015	1	O-RING
* 28	O-S-013	2	O-RING
* 29	O-S-006	1	O-RING
* 30	O-S-3-903	1	O-RING
31	TLN-2015-01-SIG	1	AIR VALVE - SIGNAL
* 32	O-E-011	1	O-RING
* 33	O-S-011	1	O-RING
34	F-BHCS-1032-08	2	BUTTON HEAD CAP SCREW
35	TLN-2048	1	SEAT INSERT
* 36	O-A-007	1	O-RING
* 37	O-S-012	1	O-RING
38	TLN-2084	1	CATALYST CARTRIDGE
39	TLN-2082	1	CATALYST NEEDLE
40	TLN-2047	1	BALL SPRING
41	TLN-2049	1	NEEDLE SPRING
* 42	O-E-021	1	O-RING
43	TLN-2120-01	1	TRIGGER ARM ASSEMBLY
44	TLN-1097-02	1	HOUSING
45	TLN-1097-04	1	SPRING HOUSING
46	CV-1097-05	1	SPRING
47	CV-1097-03	1	CHECK VALVE PISTON
* 48	O-S-009A	1	O-RING
49	TLN-3003-01	1	HANDLE
50	TLN-2108-01	1	TRIGGER MOUNT

Parts List			
ITEM	PART NUMBER	QTY	DESCRIPTION
51	TLN-2053	1	AIR KNOB HOUSING
52	07223	2	MALE CONNECTOR
53	TLN-XXX-UCT	1	SPRAY TIP
* 54	O-E-003	1	O-RING
55	UCT-40402-CP-CL-INT	1	CATALYST TIP
* 56	O-E-009	1	O-RING
57	MEC-RR-101	1	RETAINING RING
58	TLN-2054	1	AIR KNOB
59	TLN-1006	1	CATALYST FITTING
60	7701-3-35	1	MALE CONNECTOR
61	6506-1-0.5	1	POLY AIR WHIP

REPAIR KIT

* TLN2-X-SK (ASTERISKS DENOTE PARTS IN KIT)

AVAILABLE SEPARATELY

43A	TLN-2120B-01	TRIGGER ARM - MODIFIED MATERIAL SIDE
62	TLN-X-CTR-C	CATALYST CARTRIDGE ASSEMBLY
63	TLN-X-CTR-M	MATERIAL CARTRIDGE ASSEMBLY
64	TLN-1097-01	CHECK VALVE

MAGNUM VENUS PRODUCTS

TALON EXTERNAL MIX GELCOAT GUN WITH SIGNAL

TLN2-XG-400S