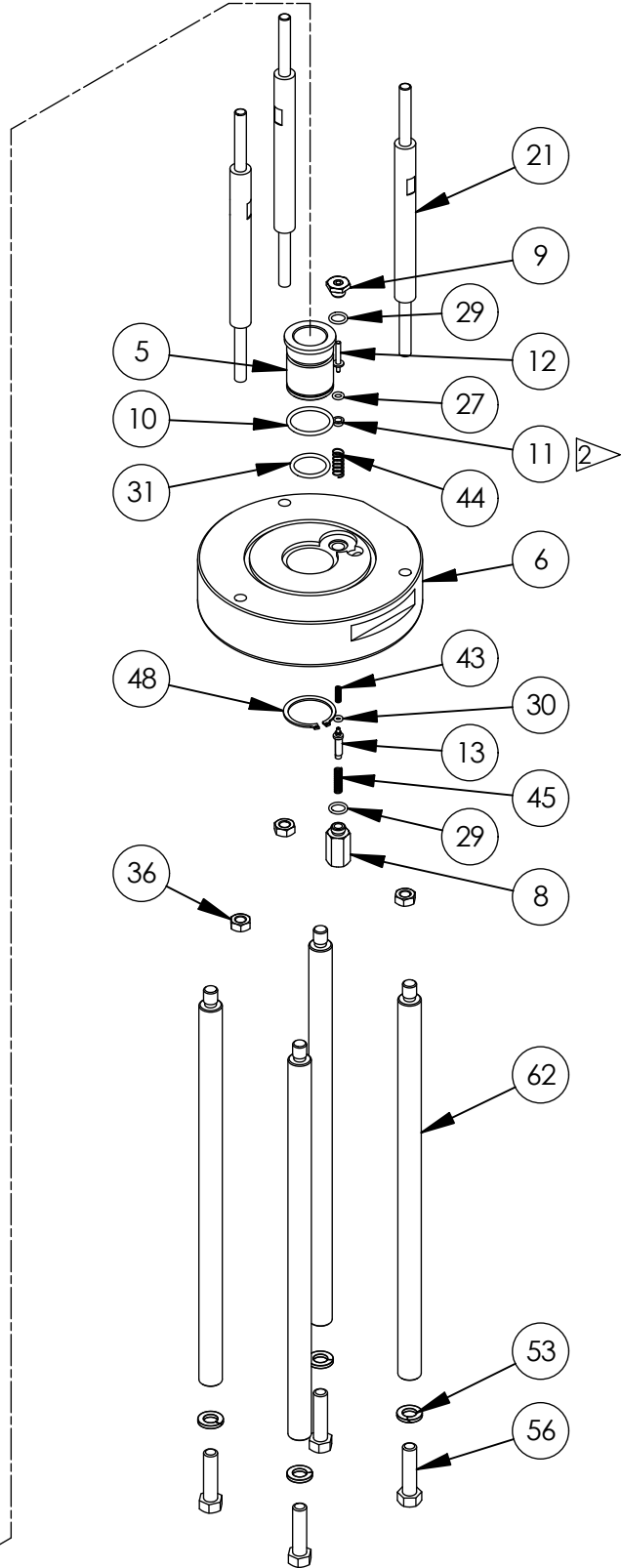
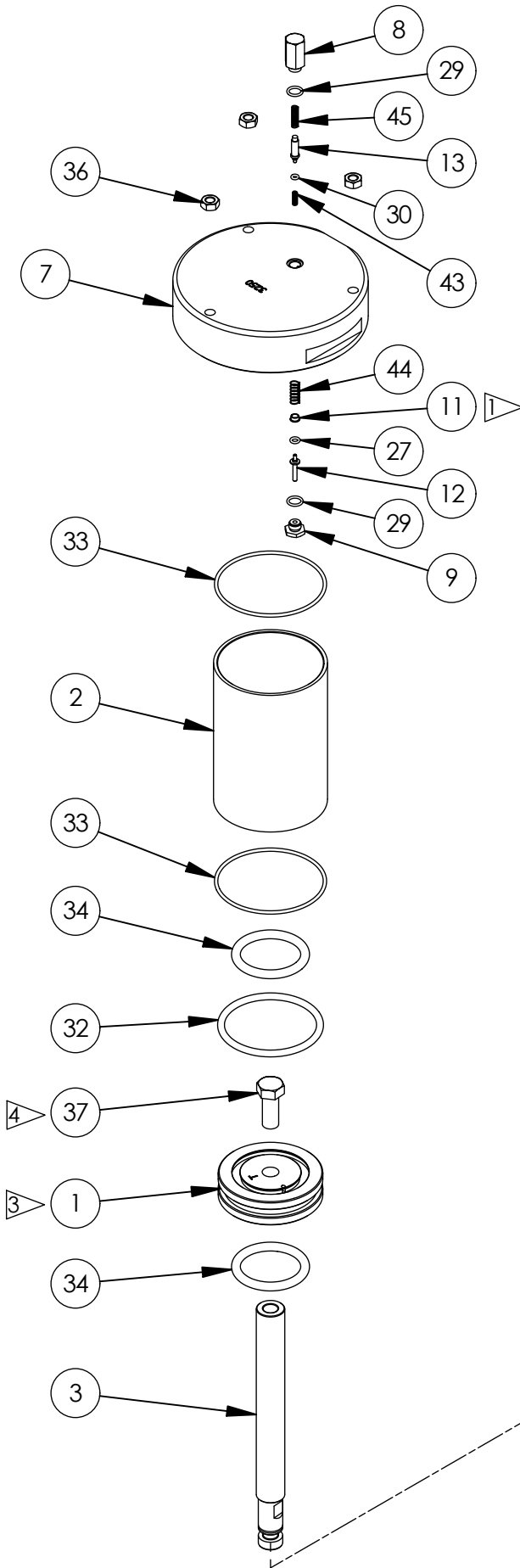


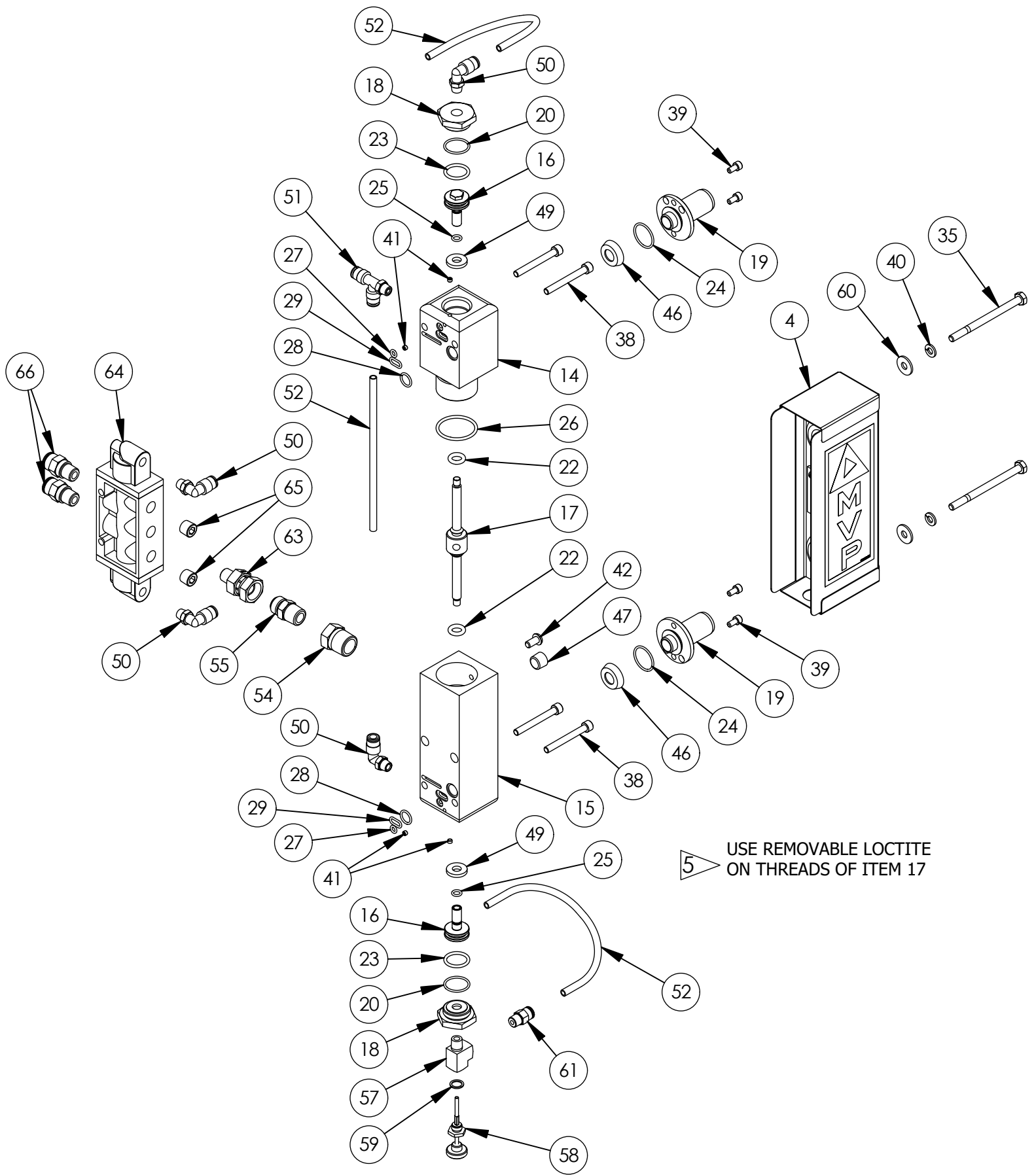
NOTE: A LIGHT COAT OF SUPER O LUBE IS RECOMMENDED ON THE UPPER AND LOWER PILOT VALVES



- 1 ▷ INSTALL ITEM 11 FLANGE DOWN
- 2 ▷ INSTALL ITEM 11 FLANGE UP
- 3 ▷ INSTALL ITEM 1 WITH COUNTERBORE DOWN
- 4 ▷ USE REMOVABLE LOCTITE ON THREAD OF ITEM 37

MAGNUM VENUS PRODUCTS

3.25" POWER HEAD	GRN-PH-3250
------------------	-------------



5 USE REMOVABLE LOCTITE ON THREADS OF ITEM 17

MAGNUM VENUS PRODUCTS

3.25" POWER HEAD	GRN-PH-3250
------------------	-------------

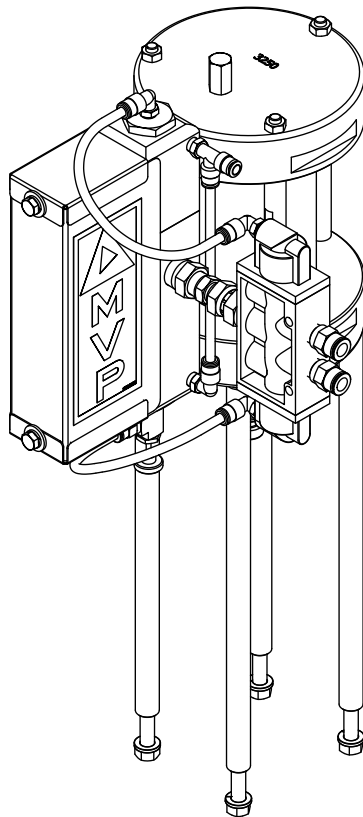
Parts List			
ITEM	PART NUMBER	QTY	DESCRIPTION
1	MPH-3251	1	PISTON - 3-1/4" POWER HEAD
2	VPH-3251	1	CYLINDER
3	VPH-4259	1	PISTON ROD - POWER HEAD
4	VPH-4253-01	1	MUFFLER ASSEMBLY
5	VPH-4254	1	BUSHING- 7/8 DIA. PISTON ROD
6	MPH-3254	1	LOWER END CAP- 3-1/4" POWER HEAD
7	MPH-3255	1	UPPER END CAP- 3-1/4" POWER HEAD
8	MPH-2541	2	SPRING HOUSING- PILOT VALVE
9	MPH-2511-01	2	STEM SEAL ASSY- PILOT VALVE
*	10	O-B-121	O-RING
	11	MPH-2512	SEAL GUIDE- PILOT VALVE
	12	MPH-2513	VALVE STEM- PILOT VALVE
	13	MPH-2540	INLET ROD- PILOT VALVE
	14	VPH-4257	UPPER VALVE BLOCK- 4" STROKE
	15	MPH-2516	LOWER VALVE BLOCK
	16	MPH-2517	VALVE PISTON
	17	VPH-2504	VALVE ROD POPPET
	18	MPH-2521	VALVE END CAP
	19	MPH-2522	VALVE EXHAUST PORT
*	20	O-B-019	O-RING
	21	VPH-4258	TIE ROD- 4" STROKE POWER HEAD
*	22	O-U-204-90	O-RING
*	23	O-B-116	O-RING
*	24	O-B-020	O-RING
*	25	O-D-010-90	O-RING
*	26	O-B-125	O-RING
*	27	O-B-008	O-RING
*	28	O-B-013	O-RING
*	29	O-B-012	O-RING
*	30	O-U-006	O-RING
*	31	O-B-118	O-RING
*	32	O-B-336	O-RING
*	33	O-B-152	O-RING
*	34	O-B-404	O-RING
	35	F-HB-04C-56-SS	HEX BOLT
	36	F-HN-05F	HEX NUT
	37	F-HB-08F-20-GR5	HEX BOLT
	38	F-CS-04C-32-SS	CAP SCREW
	39	F-CS-1024-06-SS	CAP SCREW
	40	F-SW-04-SS	LOCK WASHER
	41	F-SS-832-02-SS	SS SET SCREW
	42	F-BHCS-04C-08-SS	BUTTON HEAD CAP SCREW
	43	MPH-2526	SPRING
	44	MPH-2528	SPRING
	45	MPH-2533	COMPRESSION SPRING
*	46	MPH-2529	DIAPHRAGM

MAGNUM VENUS PRODUCTS

3.25" POWER HEAD	GRN-PH-3250
------------------	-------------

Parts List			
ITEM	PART NUMBER	QTY	DESCRIPTION
47	PF-AP-04-SS	1	ALLEN PLUG
48	MPH-3261	1	SNAP RING - EXTERNAL
49	MPH-3262	2	PISTON STOP
50	MPH-2539	4	MALE ELBOW
51	MPH-2538	1	MALE POLY TEE FITTING
52	MS-2052-1	2 FT	TUBING
53	F-SW-06	4	LOCK WASHER
54	PF-RB-08-06	1	BUSHING FITTING
55	PF-HN-06-06S	1	HOSE ADAPTER
56	F-HB-06C-24-GR8	4	HEX BOLT
57	PF-ST-02-BR	1	TEE FITTING
58	MPH-2546-01	1	RESET STEM ASSEMBLY
59	MPH-2545	1	SEAL
60	F-FW-04	2	FLAT WASHER
61	07223	1	MALE CONNECTOR
62	2104-4-1	4	TIE ROD
63	PF-SW-04M-06F	1	PIPE SWIVEL
64	MPM-2599	1	5-WAY VALVE
65	PF-AP-04	2	ALLEN PLUG
66	07225	2	MALE CONNECTOR

* ASTERISKS DENOTE PARTS INCLUDED IN MPH-3250/4250-SK SEAL KIT



MAGNUM VENUS PRODUCTS

3.25" POWER HEAD

GRN-PH-3250