

MAGNUM VENUS PRODUCTS

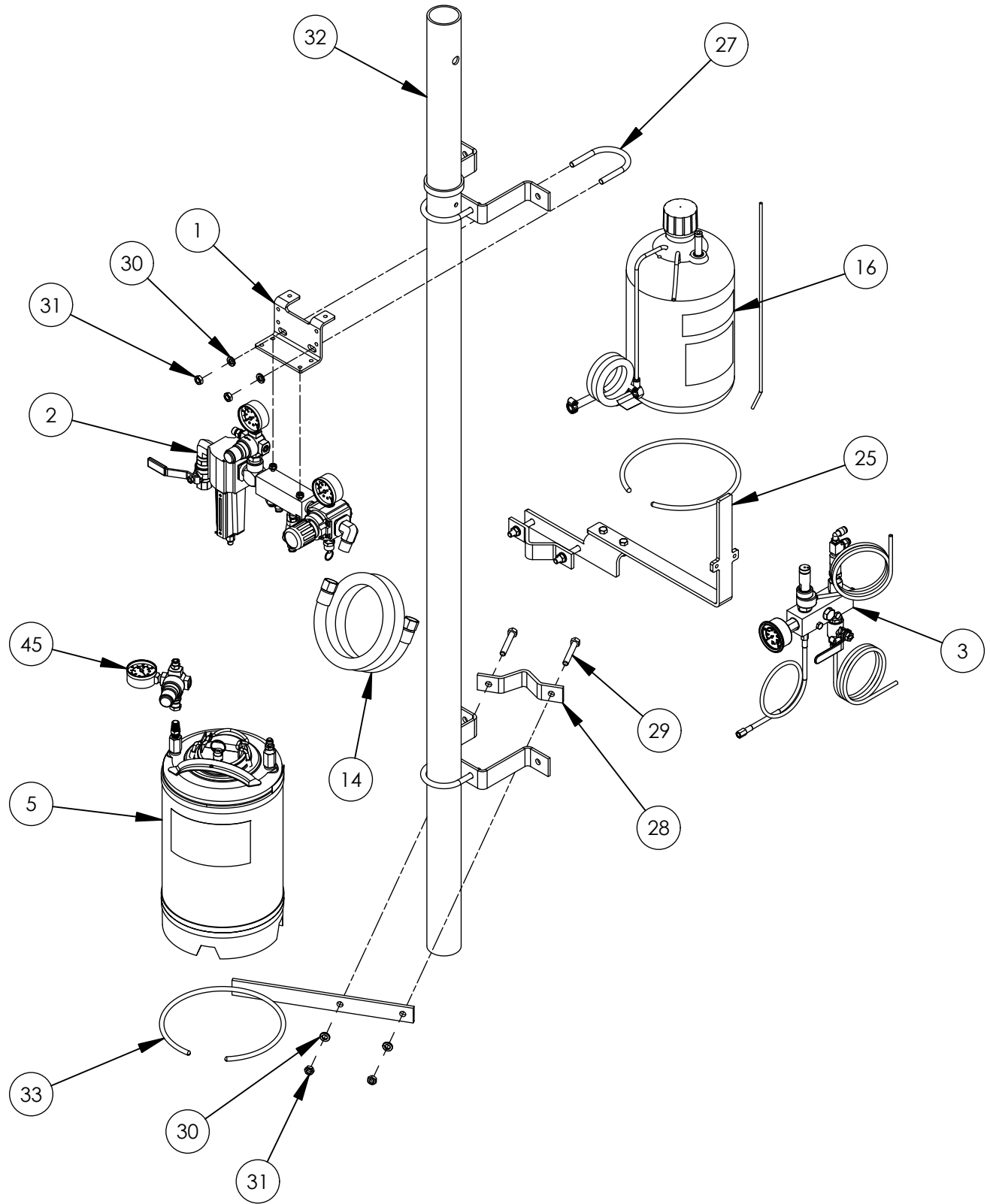
ACCURATE COATINGS SYSTEM - WALL MOUNT

ACE-PRO2-12-A-4

REV:A 06/30/2022

SHEET 1 / 7

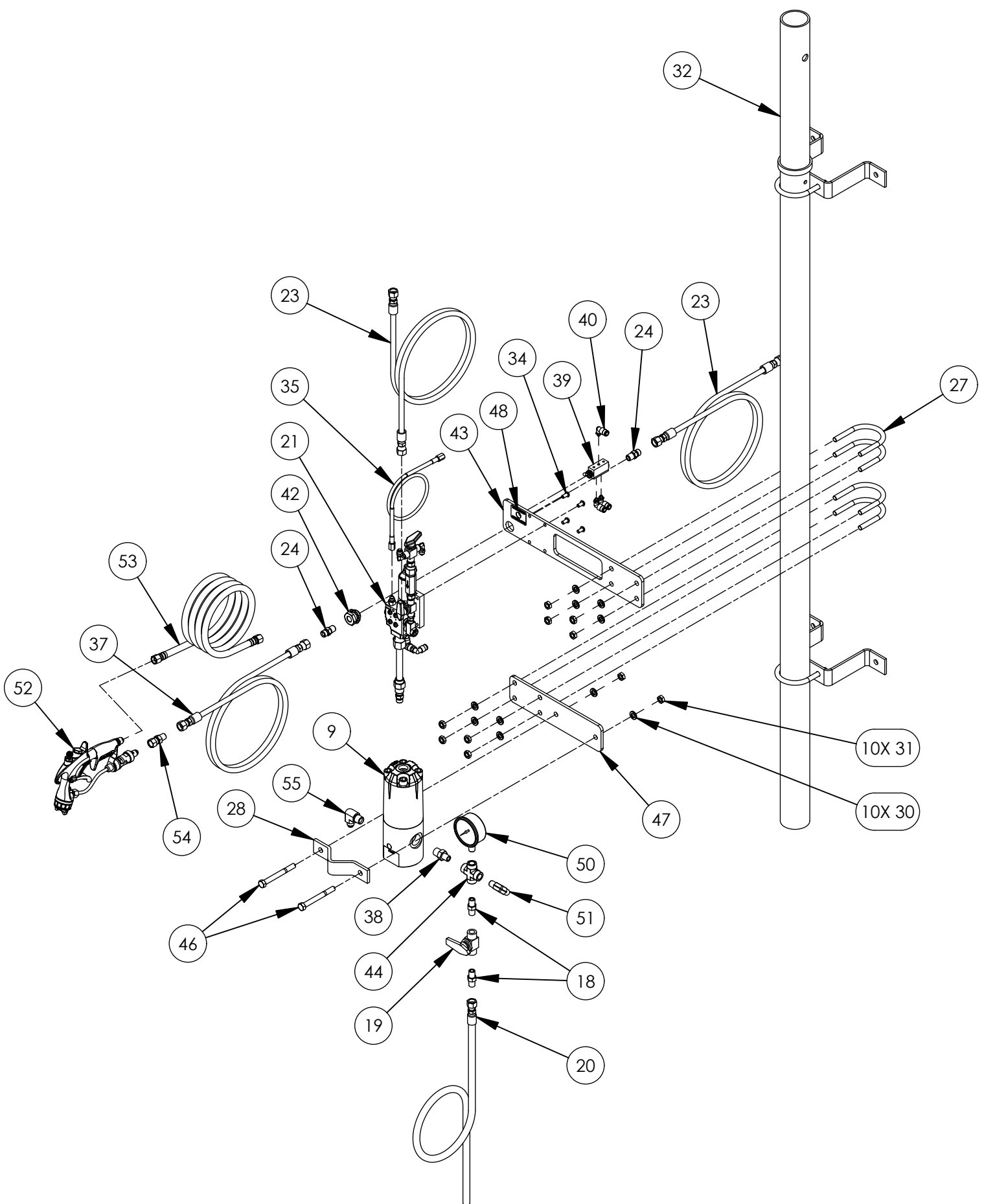
2/14/2022



MAGNUM VENUS PRODUCTS

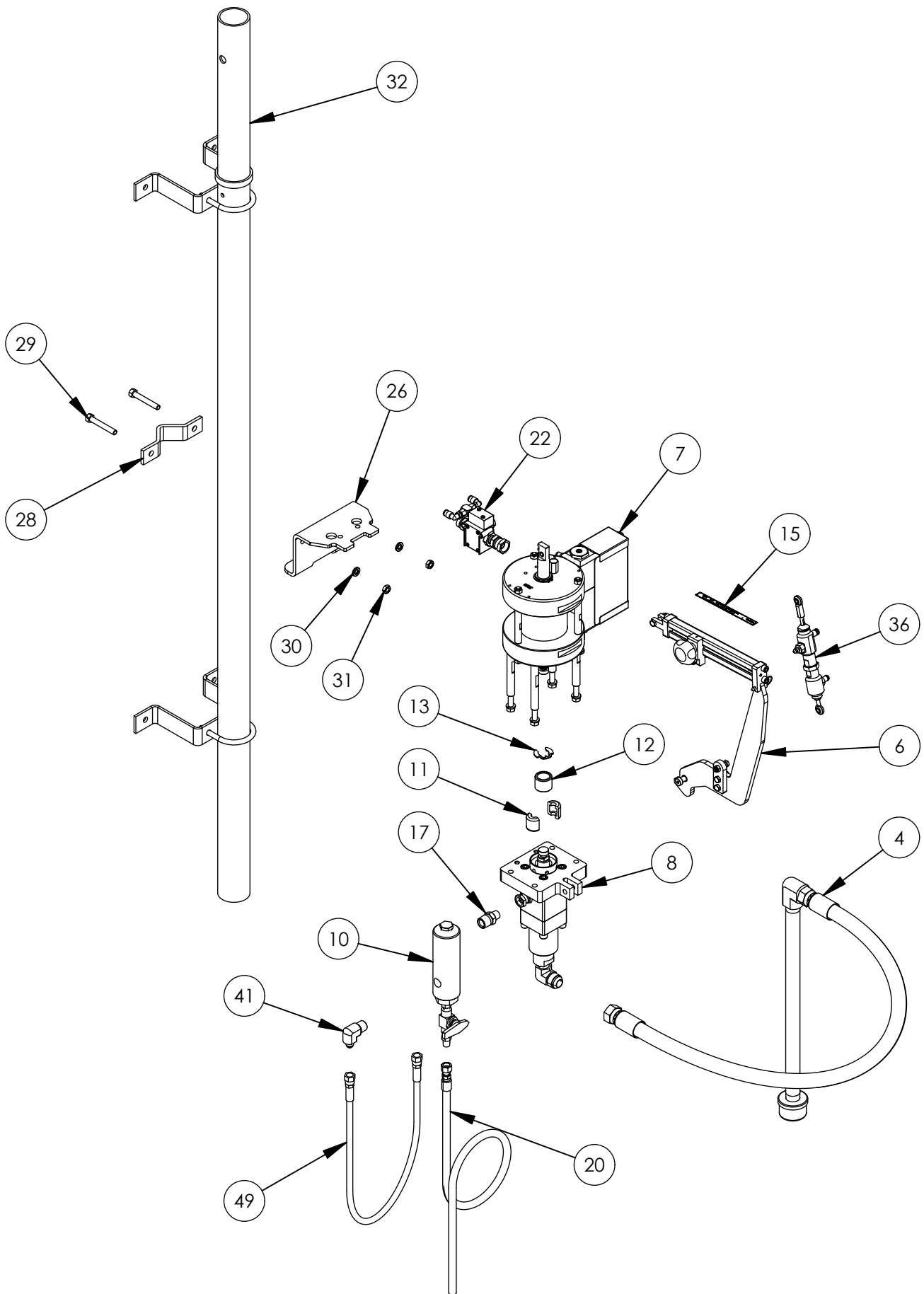
ACCURATE COATINGS SYSTEM - WALL MOUNT

ACE-PRO2-12-A-4



MAGNUM VENUS PRODUCTS

ACCURATE COATINGS SYSTEM - WALL MOUNT REV:A 06/30/2022	ACE-PRO2-12-A-4 SHEET 3 / 7 2/14/2022
---	---



MAGNUM VENUS PRODUCTS

<p>ACCURATE COATINGS SYSTEM - WALL MOUNT</p>	<p>ACE-PRO2-12-A-4</p>
--	------------------------

Parts List			
ITEM	PART NUMBER	QTY	DESCRIPTION
1	PAT-BRKT-MA-1	1	AIR MANIFOLD BRACKET
2	MA2-1-ACE	1	AIR MANIFOLD - ACCURATE COATINGS UNIT
3	CM2-3000-316	1	ACID CATALYST MANIFOLD
4	HSA-1000-5-4	1	3/4 SIPHON ASSEMBLY - 4 FT HOSE
5	6101-01-01	1	FLUSH TANK ASSEMBLY - 3 GALLON
6	PRO2-SD-3100	1	SLAVE DRIVE ASSEMBLY
7	PRO2-PH-3250	1	POWER HEAD - 3-1/4" DIA
8	PRO2-LS-06010-17-4	1	FLUID SECTION
9	651780-B3A-B	1	FLUID REGULATOR
10	FF-5000R-100-A	1	FLUID FILTER WITH RELIEF VALVE
11	APP-9096	2	HALF SHELL
12	PAT-PA-9109	1	SHELL RETAINER
13	F-ER-1.00-HD	1	Ø1" E-RING HEAVY DUTY
14	HA-0888-3	1	AIR HOSE ASSEMBLY
15	PAT-RS-0601-055	1	RATIO STICKER
16	PAT-CJ-316	1	ACID CATALYST JUG ASSEMBLY
17	PF-HN-06-08-SS	1	HEX NIPPLE
18	PF-HN-04-SS	2	HEX NIPPLE
19	BV-44-XHP-SS	1	BALL VALVE
20	HFL-044-4	2	HOSE ASSEMBLY
21	CPMB-2000-A	1	CLASSIC PRO MIX BLOCK - ACCURATE COATINGS
22	PAT-SV-1	1	PATRIOT SAFETY VALVE
23	HAW-0344-5	2	HOSE ASSEMBLY
24	PF-HN-04-04S-SS	2	HEX NIPPLE
25	VDC-BRKT-CJ-100	1	CATALYST JUG BRACKET - GRAVITY FEED
26	PAT-BRKT-PM-5	1	PUMP MOUNT BRACKET - COLUMN 3-1/4 PH
27	F-UB-06C-40	5	U-BOLT
28	COL-CLMP	3	COLUMN CLAMP
29	F-HB-06C-40-GR5	4	HEX BOLT
30	F-SW-06	16	LOCK WASHER
31	F-HN-06C	16	HEX NUT
32	WMM-1000	1	WALL MOUNT MAST ASSEMBLY
33	SFB-VDC-TANK-1	1	MOUNTING BRACKET WELDMENT
34	F-BHCS-04C-08	4	BUTTON HEAD CAP SCREW
35	HCSS-0203J-5	1	BRAIDED HOSE ASSY
36	PAT-CP-0550-316	1	CATALYST PUMP ASSEMBLY
37	HAW-0344-25	1	HOSE ASSEMBLY
38	PF-HN-06-04-SS	1	HEX NIPPLE
39	PNE-TOG-105	1	2 POSITION TOGGLE VALVE
40	06020	3	MALE ELBOW
41	PF-ME-08-06J-SS	1	MALE ELBOW
42	PF-BH-04-316	1	BULKHEAD FITTING
43	ACE-BRKT-MB-1	1	MIXING BLOCK MOUNT BRACKET
44	PF-CF-04-SS	1	FEMALE CROSS
45	PAT-FT-REG	1	FLUSH TANK REGULATOR

MAGNUM VENUS PRODUCTS

ACCURATE COATINGS SYSTEM - WALL MOUNT

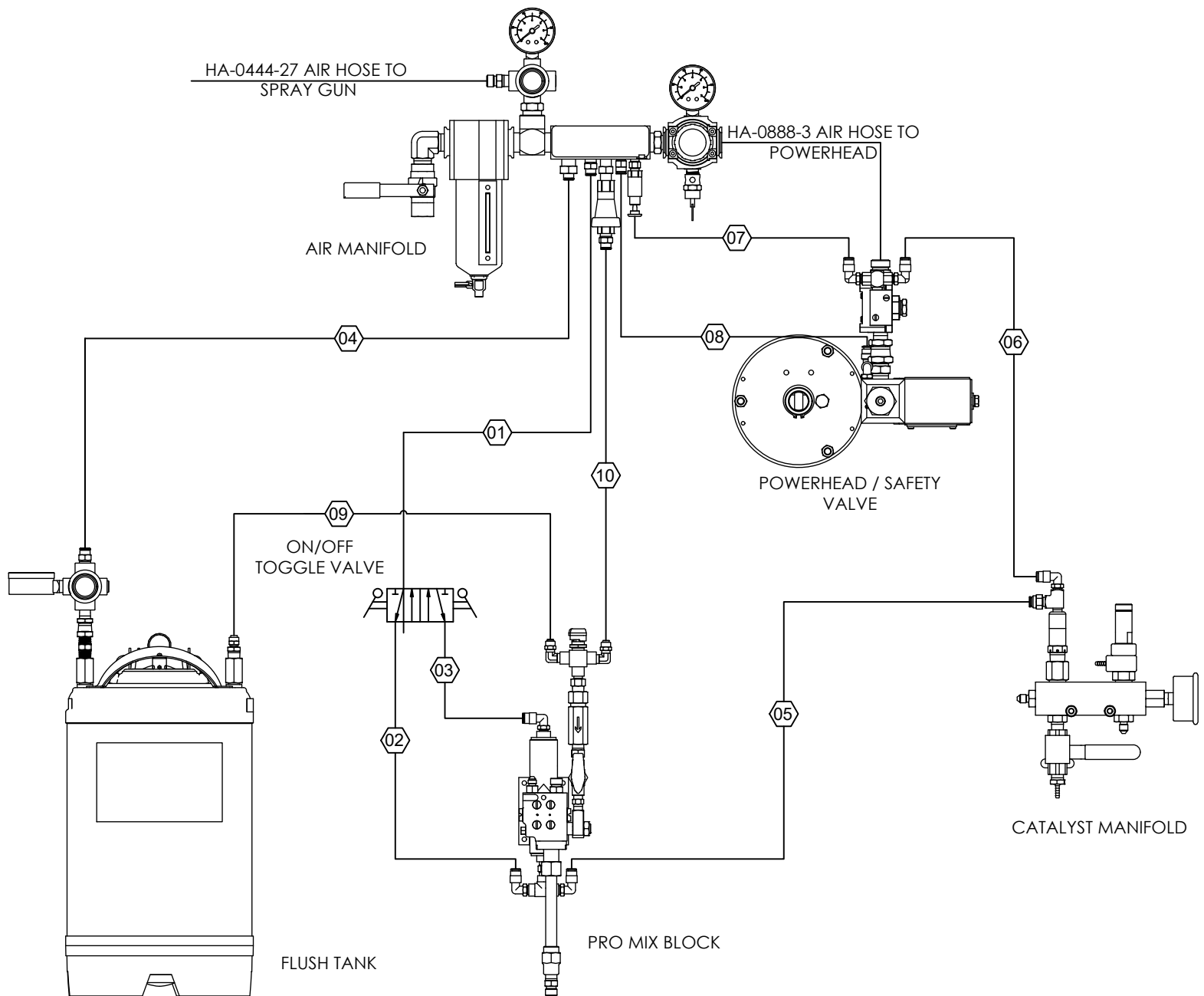
ACE-PRO2-12-A-4

Parts List			
ITEM	PART NUMBER	QTY	DESCRIPTION
46	F-HB-06C-56	2	HEX BOLT - Inch
47	ACE-BRKT-FR-1	1	FLUID REGULATOR BRACKET
48	ACE-TV-DECAL-1	1	MIXING BLOCK DECAL
49	HCSS-0606J-4	1	SS HOSE ASSEMBLY
50	MRD-1005-2000	1	2000 LB. GAUGE
51	PF-ME-04-SS	1	MALE ELBOW
52	135-720-120	1	SPRAY GUN
53	HA-0444-27	1	AIR HOSE ASSEMBLY
54	PF-SW-05JF-04M	1	PIPE FITTING SWIVEL
55	PF-ME-06-06J-SS	1	MALE ELBOW

MAGNUM VENUS PRODUCTS

ACCURATE COATINGS SYSTEM - WALL MOUNT

ACE-PRO2-12-A-4



TUBING ROUTING CHART		
ITEM	PART NUMBER	LENGTH
01	MS-2052-1	3 FT
02	01444	2 FT
03	01449	2 FT
04	MS-2052-1	6 FT
05	01444	4 FT
06	01444	3 FT
07	01444	3 FT
08	MS-2052-1	3 FT
09	01443	3 FT
10	MS-2052-1	3 FT

MAGNUM VENUS PRODUCTS

ACCURATE COATINGS SYSTEM - WALL MOUNT

ACE-PRO2-12-A-4