

MAGNUM VENUS PRODUCTS

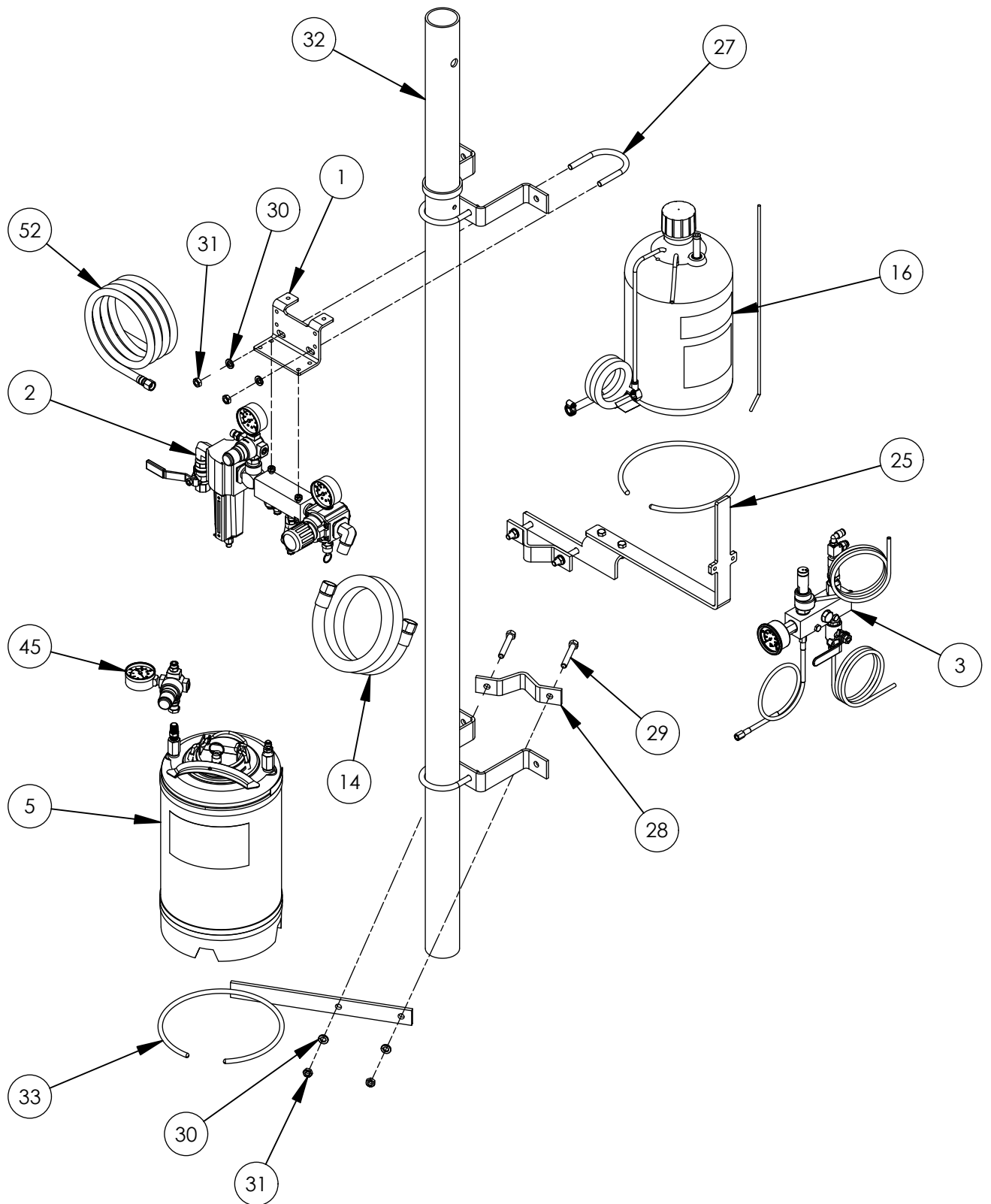
ACCURATE COATINGS SYSTEM - WALL MOUNT

ACE-PRO2-12-A-3

REV:B 06/30/2022

SHEET 1 / 7

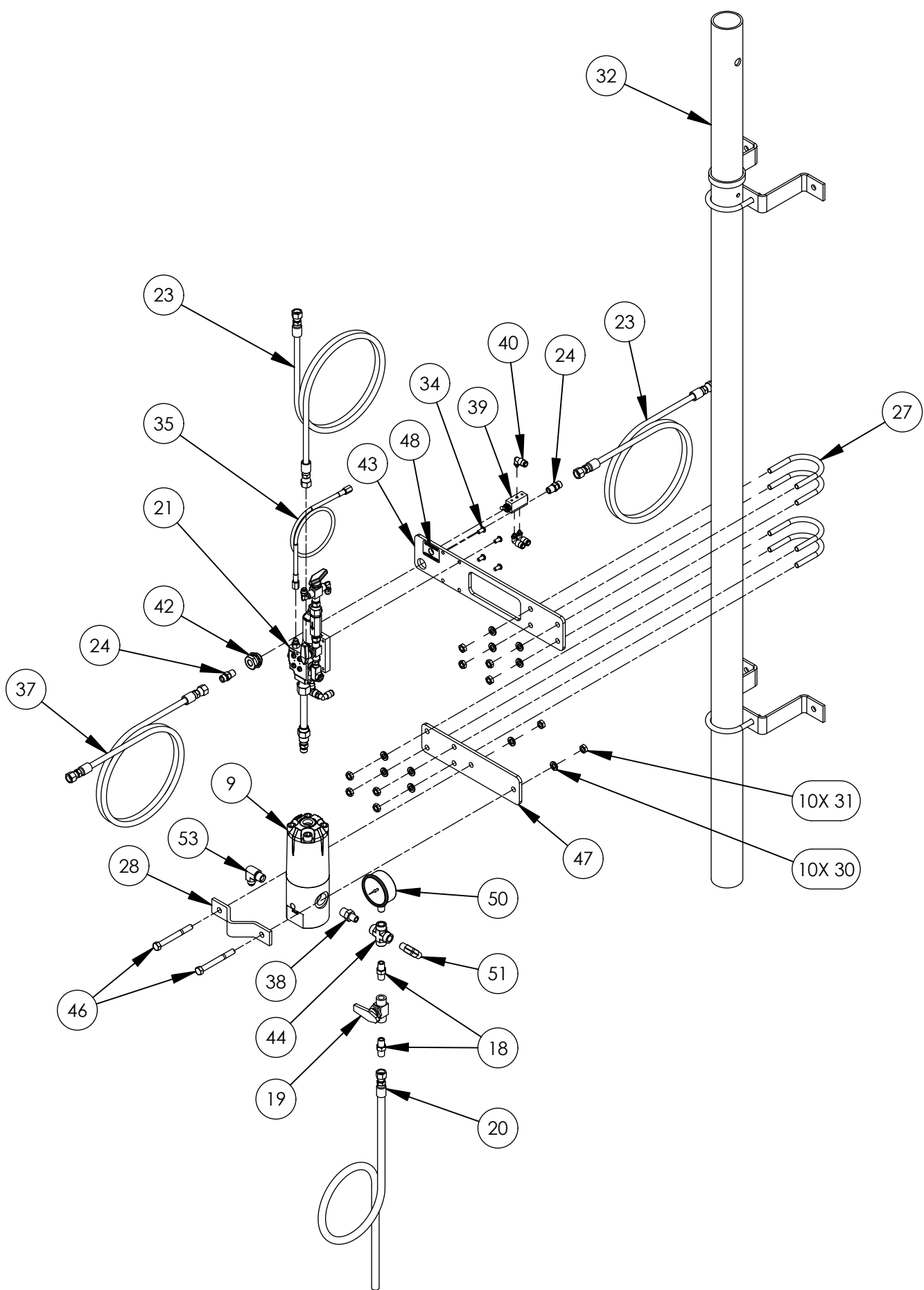
2/14/2022



MAGNUM VENUS PRODUCTS

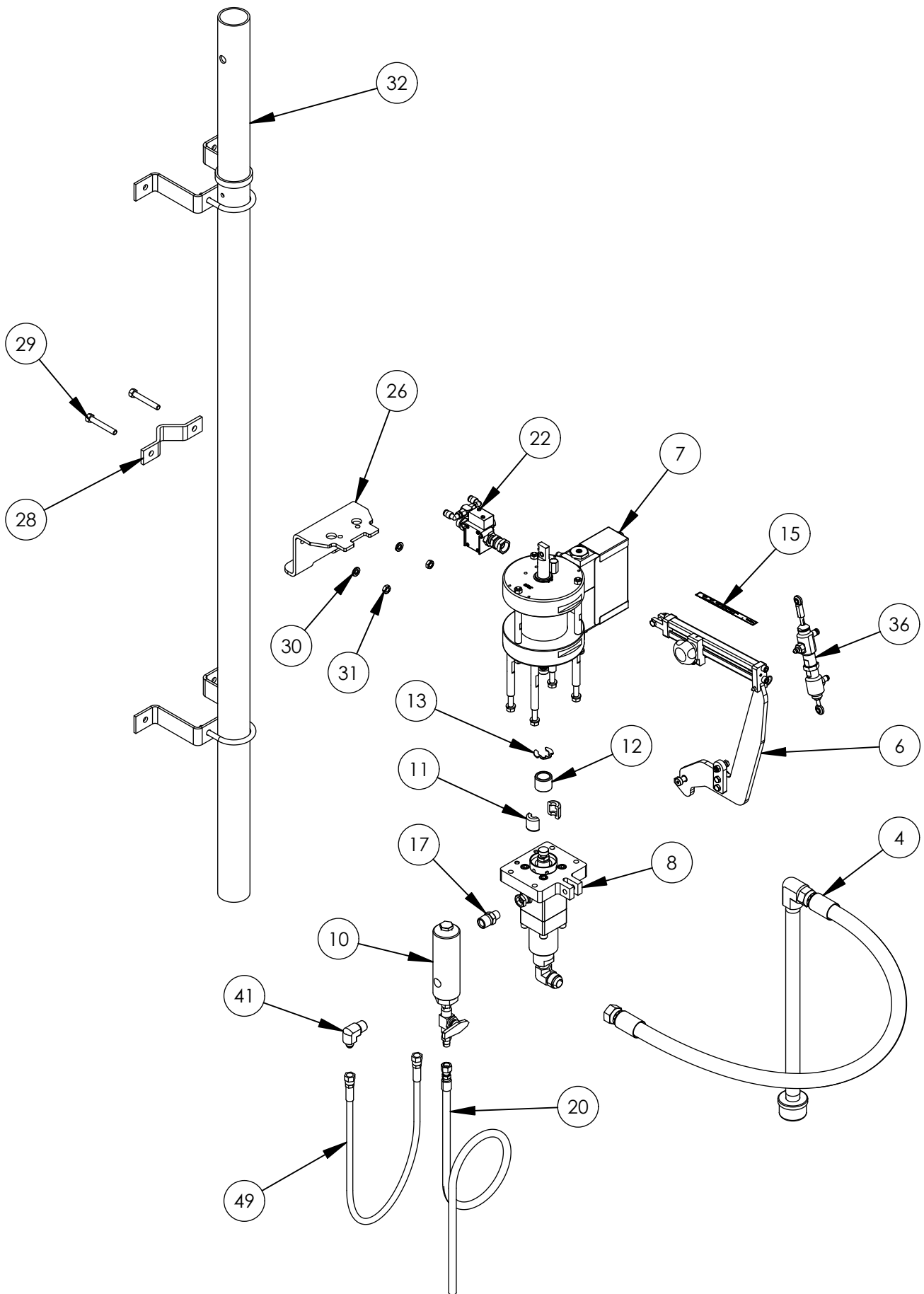
ACCURATE COATINGS SYSTEM - WALL MOUNT

ACE-PRO2-12-A-3



MAGNUM VENUS PRODUCTS

| | |
|--|------------------------|
| <p>ACCURATE COATINGS SYSTEM - WALL MOUNT</p> | <p>ACE-PRO2-12-A-3</p> |
|--|------------------------|



MAGNUM VENUS PRODUCTS

ACCURATE COATINGS SYSTEM - WALL MOUNT ACE-PRO2-12-A-3

| Parts List | | | |
|------------|--------------------|-----|---|
| ITEM | PART NUMBER | QTY | DESCRIPTION |
| 1 | PAT-BRKT-MA-1 | 1 | AIR MANIFOLD BRACKET |
| 2 | MA2-1-ACE | 1 | AIR MANIFOLD - ACCURATE COATINGS UNIT |
| 3 | CM2-3000-316 | 1 | ACID CATALYST MANIFOLD |
| 4 | HSA-1000-5-4 | 1 | 3/4 SIPHON ASSEMBLY - 4 FT HOSE |
| 5 | 6101-01-01 | 1 | FLUSH TANK ASSEMBLY - 3 GALLON |
| 6 | PRO2-SD-3100 | 1 | SLAVE DRIVE ASSEMBLY |
| 7 | PRO2-PH-3250 | 1 | POWER HEAD - 3-1/4" DIA |
| 8 | PRO2-LS-06010-17-4 | 1 | FLUID SECTION |
| 9 | 651780-B3A-B | 1 | FLUID REGULATOR |
| 10 | FF-5000R-100-A | 1 | FLUID FILTER WITH RELIEF VALVE |
| 11 | APP-9096 | 2 | HALF SHELL |
| 12 | PAT-PA-9109 | 1 | SHELL RETAINER |
| 13 | F-ER-1.00-HD | 1 | Ø1" E-RING HEAVY DUTY |
| 14 | HA-0888-3 | 1 | AIR HOSE ASSEMBLY |
| 15 | PAT-RS-0601-055 | 1 | RATIO STICKER |
| 16 | PAT-CJ-316 | 1 | ACID CATALYST JUG ASSEMBLY |
| 17 | PF-HN-06-08-SS | 1 | HEX NIPPLE |
| 18 | PF-HN-04-SS | 2 | HEX NIPPLE |
| 19 | BV-44-XHP-SS | 1 | BALL VALVE |
| 20 | HFL-044-4 | 2 | HOSE ASSEMBLY |
| 21 | CPMB-2000-A | 1 | CLASSIC PRO MIX BLOCK - ACCURATE COATINGS |
| 22 | PAT-SV-1 | 1 | PATRIOT SAFETY VALVE |
| 23 | HAW-0344-5 | 2 | HOSE ASSEMBLY |
| 24 | PF-HN-04-04S-SS | 2 | HEX NIPPLE |
| 25 | VDC-BRKT-CJ-100 | 1 | CATALYST JUG BRACKET - GRAVITY FEED |
| 26 | PAT-BRKT-PM-5 | 1 | PUMP MOUNT BRACKET - COLUMN 3-1/4 PH |
| 27 | F-UB-06C-40 | 5 | U-BOLT |
| 28 | COL-CLMP | 3 | COLUMN CLAMP |
| 29 | F-HB-06C-40-GR5 | 4 | HEX BOLT |
| 30 | F-SW-06 | 16 | LOCK WASHER |
| 31 | F-HN-06C | 16 | HEX NUT |
| 32 | WMM-1000 | 1 | WALL MOUNT MAST ASSEMBLY |
| 33 | SFB-VDC-TANK-1 | 1 | MOUNTING BRACKET WELDMENT |
| 34 | F-BHCS-04C-08 | 4 | BUTTON HEAD CAP SCREW |
| 35 | HCSS-0203J-5 | 1 | BRAIDED HOSE ASSY |
| 36 | PAT-CP-0550-316 | 1 | CATALYST PUMP ASSEMBLY |
| 37 | HAW-0344-25 | 1 | HOSE ASSEMBLY |
| 38 | PF-HN-06-04-SS | 1 | HEX NIPPLE |
| 39 | PNE-TOG-105 | 1 | 2 POSITION TOGGLE VALVE |
| 40 | 06020 | 3 | MALE ELBOW |
| 41 | PF-ME-08-06J-SS | 1 | MALE ELBOW |
| 42 | PF-BH-04-316 | 1 | BULKHEAD FITTING |
| 43 | ACE-BRKT-MB-1 | 1 | MIXING BLOCK MOUNT BRACKET |
| 44 | PF-CF-04-SS | 1 | FEMALE CROSS |
| 45 | PAT-FT-REG | 1 | FLUSH TANK REGULATOR |

MAGNUM VENUS PRODUCTS

ACCURATE COATINGS SYSTEM - WALL MOUNT

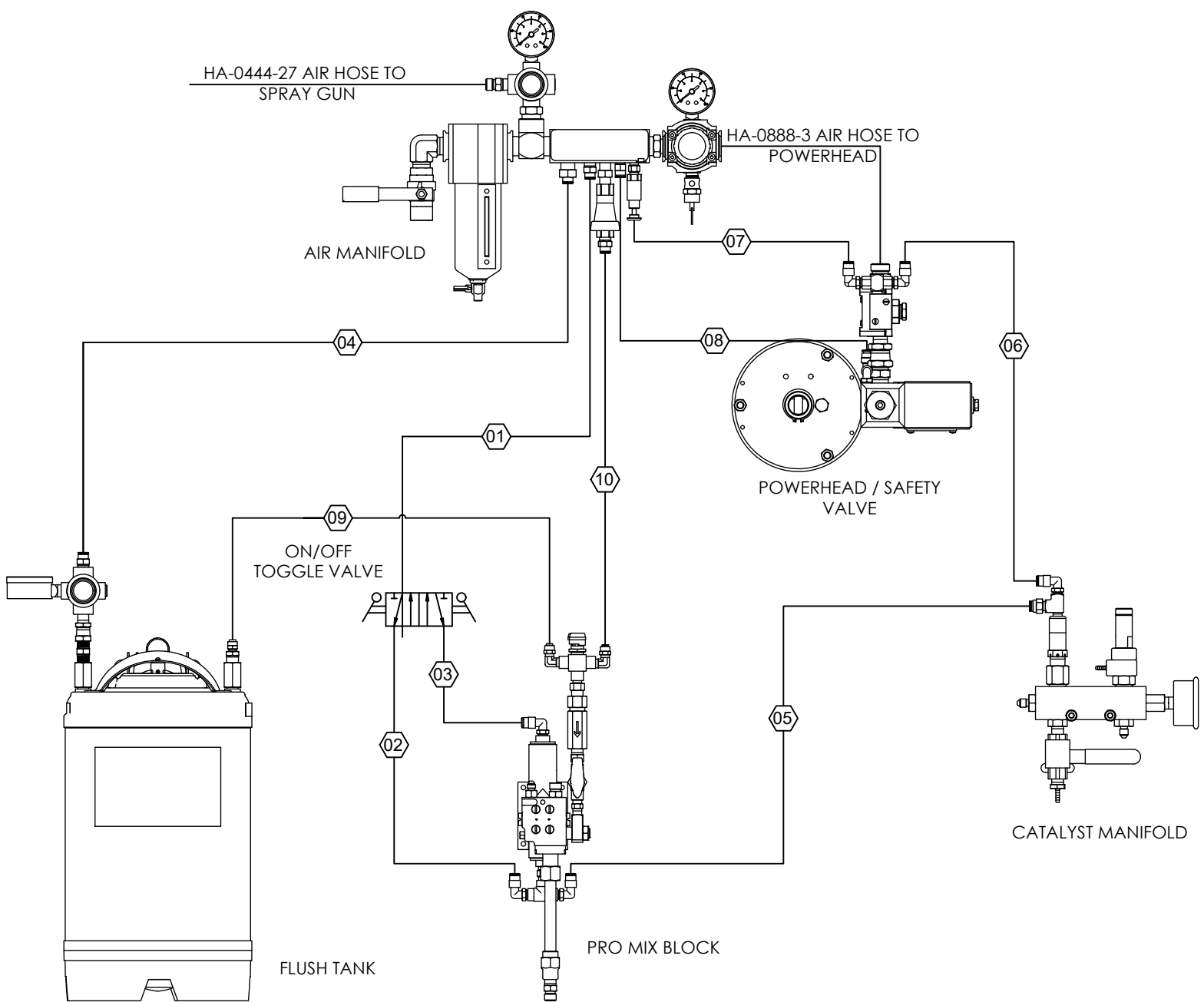
ACE-PRO2-12-A-3

| Parts List | | | |
|------------|-----------------|-----|-------------------------|
| ITEM | PART NUMBER | QTY | DESCRIPTION |
| 46 | F-HB-06C-56 | 2 | HEX BOLT - Inch |
| 47 | ACE-BRKT-FR-1 | 1 | FLUID REGULATOR BRACKET |
| 48 | ACE-TV-DECAL-1 | 1 | MIXING BLOCK DECAL |
| 49 | HCSS-0606J-4 | 1 | SS HOSE ASSEMBLY |
| 50 | MRD-1005-2000 | 1 | 2000 LB. GAUGE |
| 51 | PF-ME-04-SS | 1 | MALE ELBOW |
| 52 | HA-0444-27 | 1 | AIR HOSE ASSEMBLY |
| 53 | PF-ME-06-06J-SS | 1 | MALE ELBOW |

MAGNUM VENUS PRODUCTS

ACCURATE COATINGS SYSTEM - WALL MOUNT

ACE-PRO2-12-A-3



| TUBING ROUTING CHART | | |
|----------------------|-------------|--------|
| ITEM | PART NUMBER | LENGTH |
| 01 | MS-2052-1 | 3 FT |
| 02 | 01444 | 2 FT |
| 03 | 01449 | 2 FT |
| 04 | MS-2052-1 | 6 FT |
| 05 | 01444 | 4 FT |
| 06 | 01444 | 3 FT |
| 07 | 01444 | 3 FT |
| 08 | MS-2052-1 | 3 FT |
| 09 | 01443 | 3 FT |
| 10 | MS-2052-1 | 3 FT |

MAGNUM VENUS PRODUCTS

ACCURATE COATINGS SYSTEM - WALL MOUNT ACE-PRO2-12-A-3