

# MAGNUM VENUS PRODUCTS

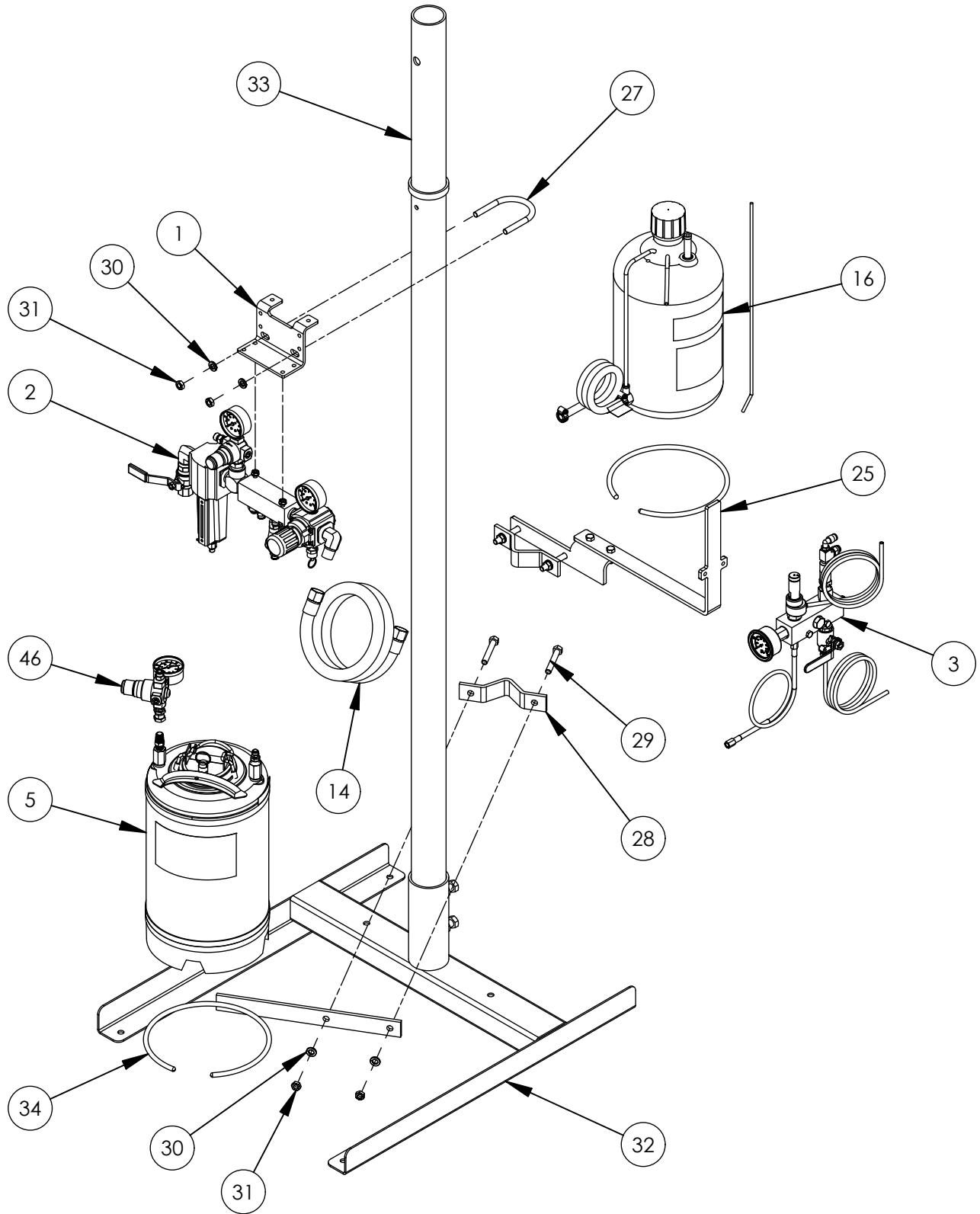
ACCURATE COATINGS SYSTEM - FLOOR MOUNT

ACE-PRO2-12-A-2

REV:A 06/30/2022

SHEET 1 / 7

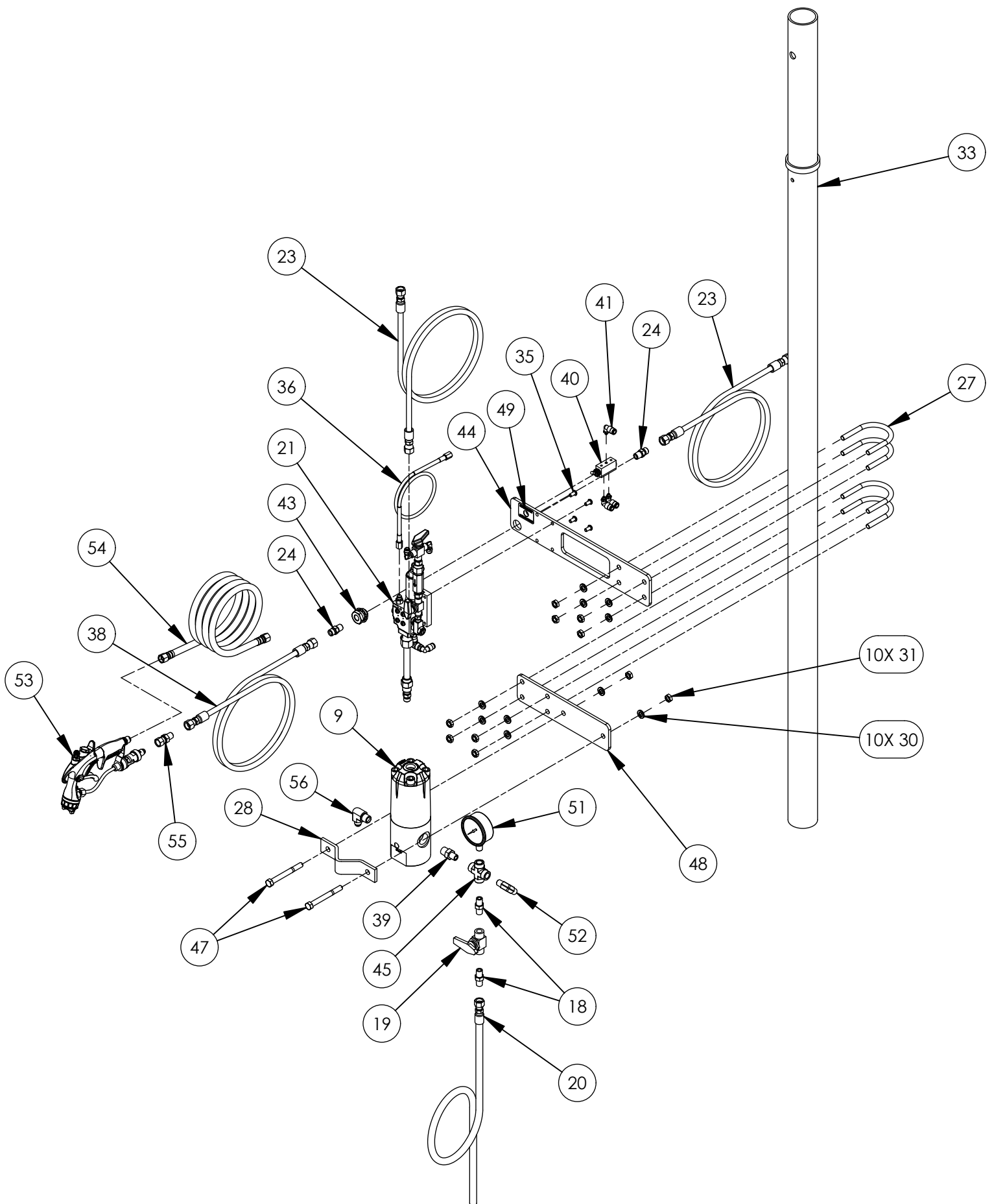
2/14/2022



# MAGNUM VENUS PRODUCTS

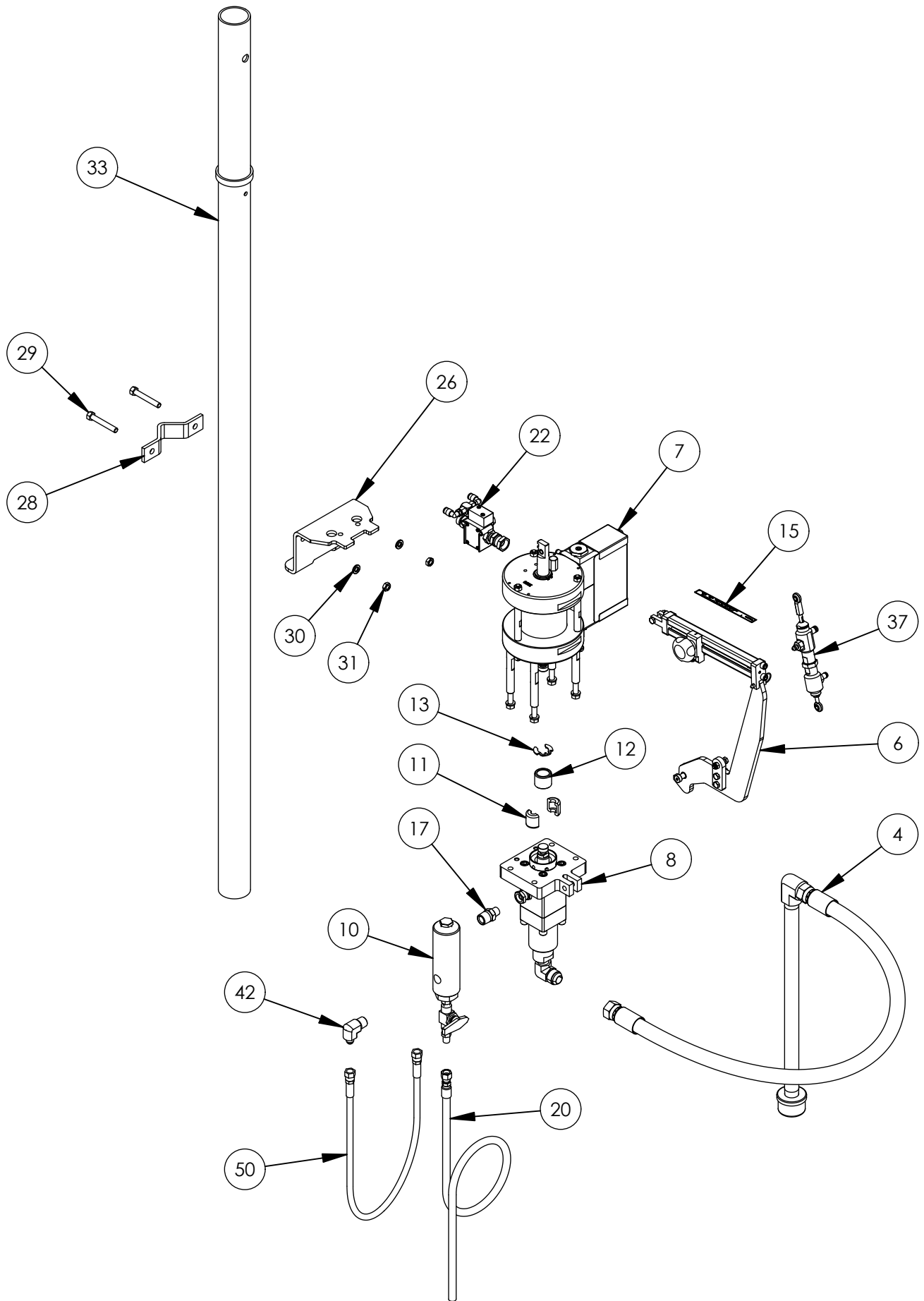
ACCURATE COATINGS SYSTEM - FLOOR MOUNT

ACE-PRO2-12-A-2



# MAGNUM VENUS PRODUCTS

ACCURATE COATINGS SYSTEM - FLOOR MOUNT ACE-PRO2-12-A-2



# MAGNUM VENUS PRODUCTS

ACCURATE COATINGS SYSTEM - FLOOR MOUNT ACE-PRO2-12-A-2

| Parts List |                    |     |   |
|------------|--------------------|-----|---|
| ITEM       | PART NUMBER        | QTY | DESCRIPTION                               |
| 1          | PAT-BRKT-MA-1      | 1   | AIR MANIFOLD BRACKET                      |
| 2          | MA2-1-ACE          | 1   | AIR MANIFOLD - ACCURATE COATINGS UNIT     |
| 3          | CM2-3000-316       | 1   | ACID CATALYST MANIFOLD                    |
| 4          | HSA-1000-5-4       | 1   | 3/4 SIPHON ASSEMBLY - 4 FT HOSE           |
| 5          | 6101-01-01         | 1   | FLUSH TANK ASSEMBLY - 3 GALLON            |
| 6          | PRO2-SD-3100       | 1   | SLAVE DRIVE ASSEMBLY                      |
| 7          | PRO2-PH-3250       | 1   | POWER HEAD - 3-1/4" DIA                   |
| 8          | PRO2-LS-06010-17-4 | 1   | FLUID SECTION                             |
| 9          | 651780-B3A-B       | 1   | FLUID REGULATOR                           |
| 10         | FF-5000R-100-A     | 1   | FLUID FILTER WITH RELIEF VALVE            |
| 11         | APP-9096           | 2   | HALF SHELL                                |
| 12         | PAT-PA-9109        | 1   | SHELL RETAINER                            |
| 13         | F-ER-1.00-HD       | 1   | Ø1" E-RING HEAVY DUTY                     |
| 14         | HA-0888-3          | 1   | AIR HOSE ASSEMBLY                         |
| 15         | PAT-RS-0601-055    | 1   | RATIO STICKER                             |
| 16         | PAT-CJ-316         | 1   | ACID CATALYST JUG ASSEMBLY                |
| 17         | PF-HN-06-08-SS     | 1   | HEX NIPPLE                                |
| 18         | PF-HN-04-SS        | 2   | HEX NIPPLE                                |
| 19         | BV-44-XHP-SS       | 1   | BALL VALVE                                |
| 20         | HFL-044-4          | 2   | HOSE ASSEMBLY                             |
| 21         | CPMB-2000-A        | 1   | CLASSIC PRO MIX BLOCK - ACCURATE COATINGS |
| 22         | PAT-SV-1           | 1   | PATRIOT SAFETY VALVE                      |
| 23         | HAW-0344-5         | 2   | HOSE ASSEMBLY                             |
| 24         | PF-HN-04-04S-SS    | 2   | HEX NIPPLE                                |
| 25         | VDC-BRKT-CJ-100    | 1   | CATALYST JUG BRACKET - GRAVITY FEED       |
| 26         | PAT-BRKT-PM-5      | 1   | PUMP MOUNT BRACKET - COLUMN 3-1/4 PH      |
| 27         | F-UB-06C-40        | 5   | U-BOLT                                    |
| 28         | COL-CLMP           | 3   | COLUMN CLAMP                              |
| 29         | F-HB-06C-40-GR5    | 4   | HEX BOLT                                  |
| 30         | F-SW-06            | 16  | LOCK WASHER                               |
| 31         | F-HN-06C           | 16  | HEX NUT                                   |
| 32         | FM-1000            | 1   | FLOOR MOUNT ASSY.                         |
| 33         | 1105-5-01          | 1   | COLUMN WELDMENT 79"                       |
| 34         | SFB-VDC-TANK-1     | 1   | MOUNTING BRACKET WELDMENT                 |
| 35         | F-BHCS-04C-08      | 4   | BUTTON HEAD CAP SCREW                     |
| 36         | HCSS-0203J-5       | 1   | BRAIDED HOSE ASSY                         |
| 37         | PAT-CP-0550-316    | 1   | CATALYST PUMP ASSEMBLY                    |
| 38         | HAW-0344-25        | 1   | HOSE ASSEMBLY                             |
| 39         | PF-HN-06-04-SS     | 1   | HEX NIPPLE                                |
| 40         | PNE-TOG-105        | 1   | 2 POSITION TOGGLE VALVE                   |
| 41         | 06020              | 3   | MALE ELBOW                                |
| 42         | PF-ME-08-06J-SS    | 1   | MALE ELBOW                                |
| 43         | PF-BH-04-316       | 1   | BULKHEAD FITTING                          |
| 44         | ACE-BRKT-MB-1      | 1   | MIXING BLOCK MOUNT BRACKET                |
| 45         | PF-CF-04-SS        | 1   | FEMALE CROSS                              |

# MAGNUM VENUS PRODUCTS

ACCURATE COATINGS SYSTEM - FLOOR MOUNT

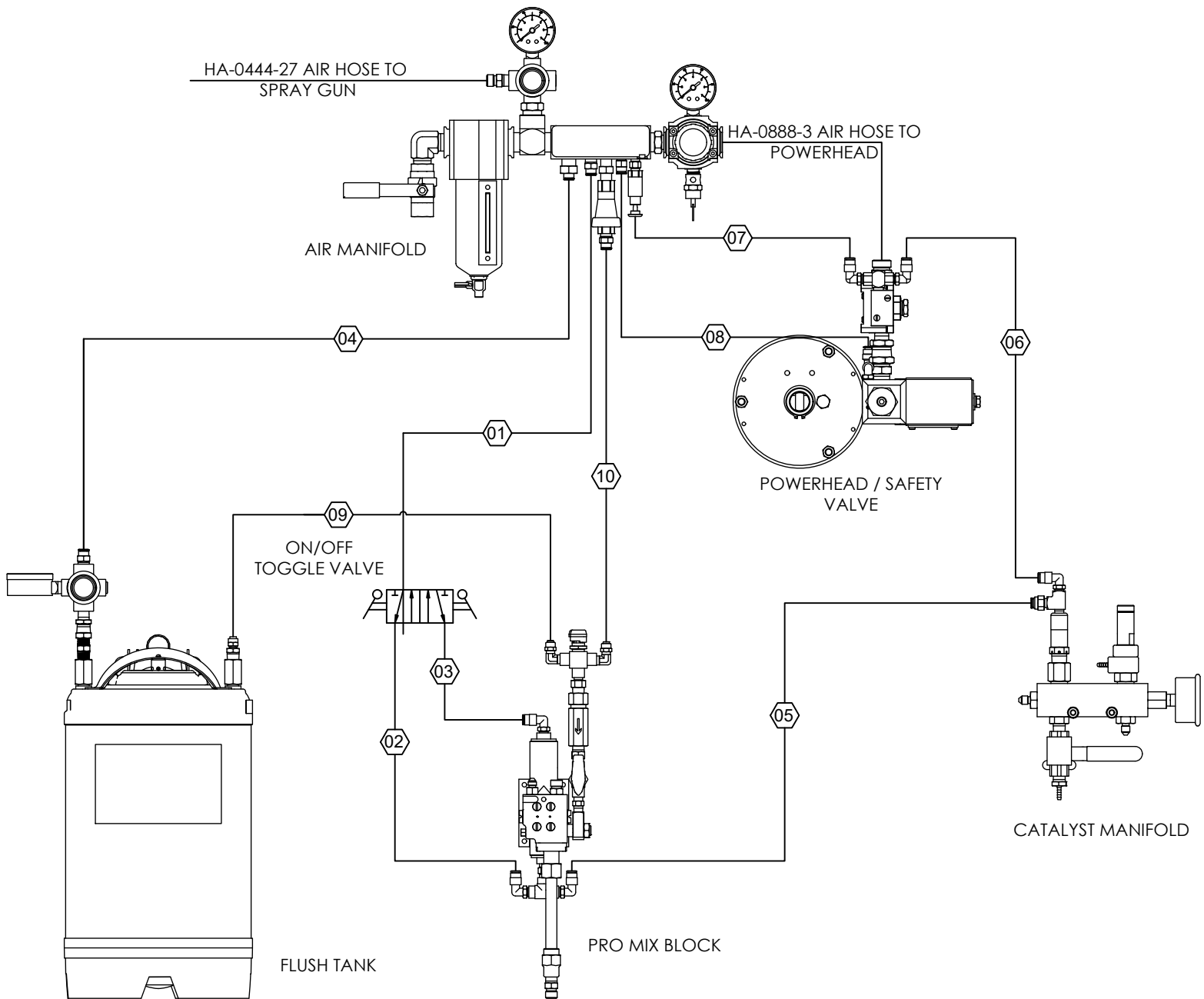
ACE-PRO2-12-A-2

| Parts List |                 |     |                         |
|------------|-----------------|-----|-------------------------|
| ITEM       | PART NUMBER     | QTY | DESCRIPTION             |
| 46         | PAT-FT-REG      | 1   | FLUSH TANK REGULATOR    |
| 47         | F-HB-06C-56     | 2   | HEX BOLT - Inch         |
| 48         | ACE-BRKT-FR-1   | 1   | FLUID REGULATOR BRACKET |
| 49         | ACE-TV-DECAL-1  | 1   | MIXING BLOCK DECAL      |
| 50         | HCSS-0606J-4    | 1   | SS HOSE ASSEMBLY        |
| 51         | MRD-1005-2000   | 1   | 2000 LB. GAUGE          |
| 52         | PF-ME-04-SS     | 1   | MALE ELBOW              |
| 53         | 135-720-120     | 1   | SPRAY GUN               |
| 54         | HA-0444-27      | 1   | AIR HOSE ASSEMBLY       |
| 55         | PF-SW-05JF-04M  | 1   | PIPE FITTING SWIVEL     |
| 56         | PF-ME-06-06J-SS | 1   | MALE ELBOW              |

# MAGNUM VENUS PRODUCTS

ACCURATE COATINGS SYSTEM - FLOOR MOUNT

ACE-PRO2-12-A-2



| TUBING ROUTING CHART |             |        |
|----------------------|-------------|--------|
| ITEM                 | PART NUMBER | LENGTH |
| 01                   | MS-2052-1   | 3 FT   |
| 02                   | 01444       | 2 FT   |
| 03                   | 01449       | 2 FT   |
| 04                   | MS-2052-1   | 6 FT   |
| 05                   | 01444       | 4 FT   |
| 06                   | 01444       | 3 FT   |
| 07                   | 01444       | 3 FT   |
| 08                   | MS-2052-1   | 3 FT   |
| 09                   | 01443       | 3 FT   |
| 10                   | MS-2052-1   | 3 FT   |

# MAGNUM VENUS PRODUCTS

ACCURATE COATINGS SYSTEM - FLOOR MOUNT

ACE-PRO2-12-A-2