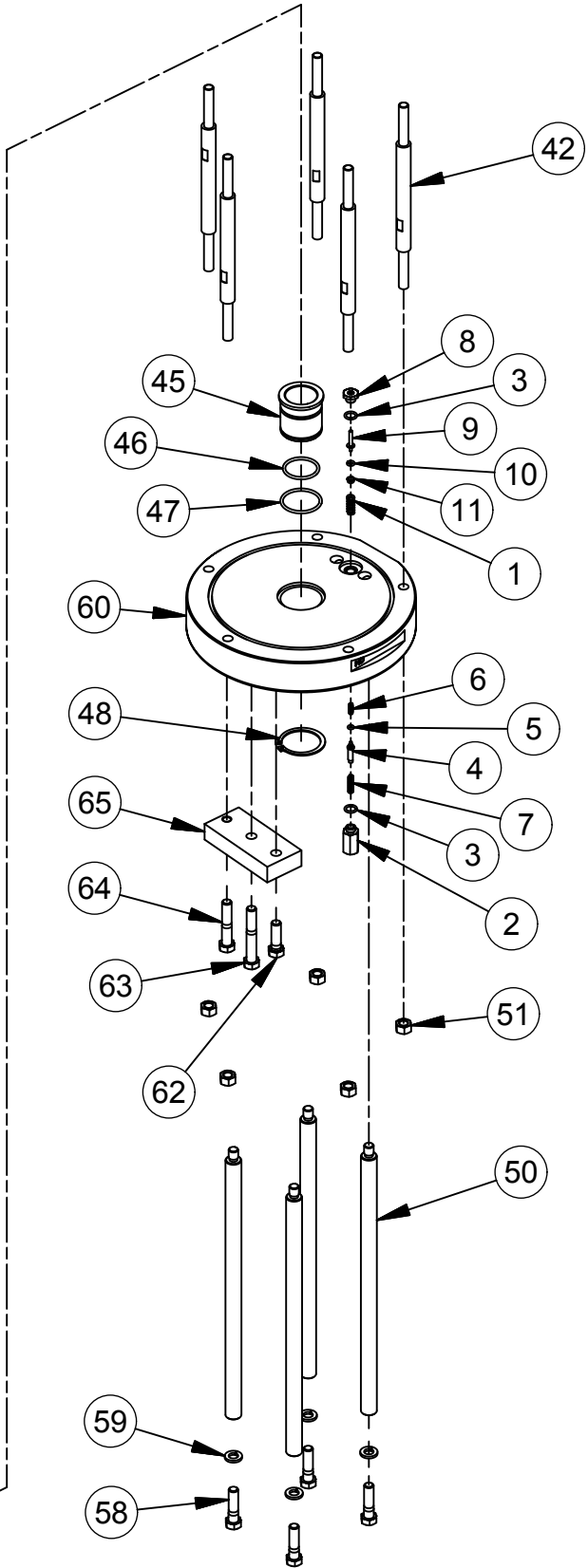
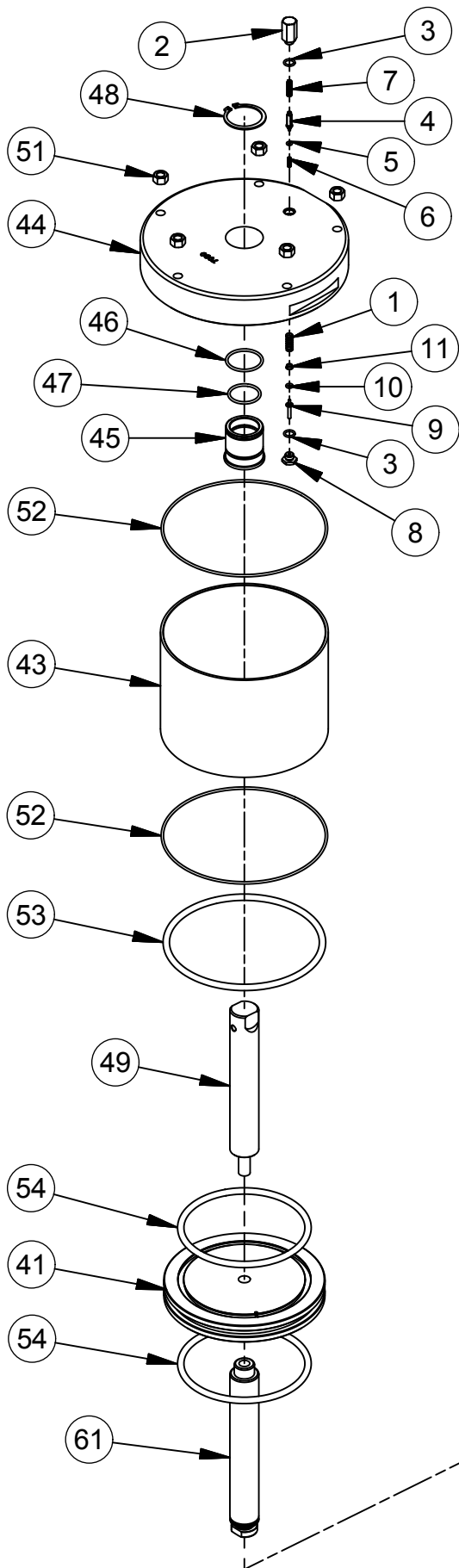
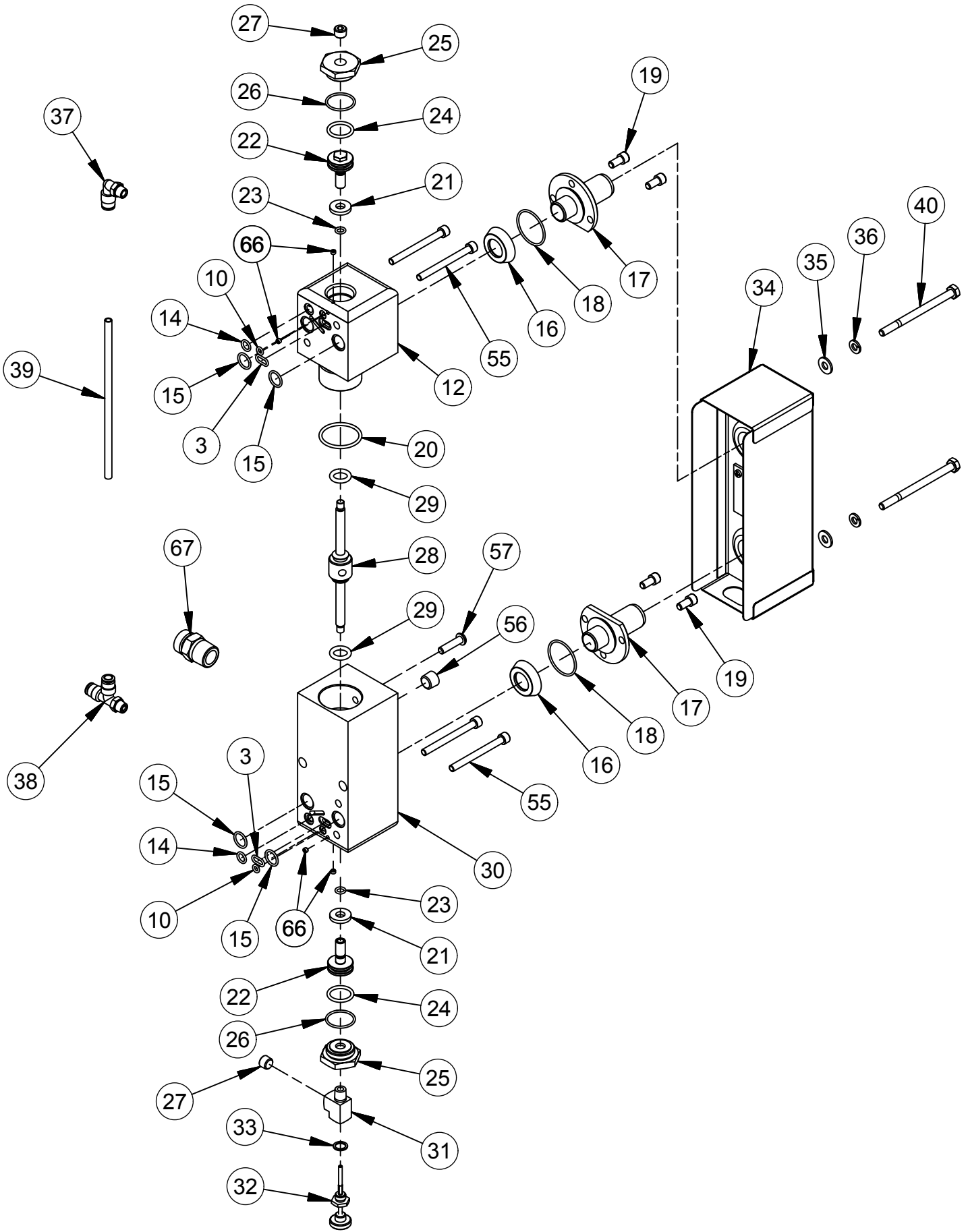


NOTE: A LIGHT COAT OF SUPER O LUBE IS RECOMMENDED ON THE UPPER AND LOWER PILOT VALVES



# MAGNUM VENUS PLASTECH

7" PUTTY POWER HEAD ASSEMBLY - HD VPH-7000-P-HD



# MAGNUM VENUS PLASTECH

7" PUTTY POWER HEAD ASSEMBLY - HD VPH-7000-P-HD

Parts List			
ITEM	PART NUMBER	QTY	DESCRIPTION
	1	2	MPH-2528 SPRING
	2	2	MPH-2541 SPRING HOUSING- PILOT VALVE
*	3	6	O-B-012 O-RING
	4	2	MPH-2540 INLET ROD- PILOT VALVE
*	5	2	O-U-006 O-RING
	6	2	MPH-2526 SPRING
	7	2	MPH-2533 COMPRESSION SPRING
	8	2	MPH-2511-01 STEM SEAL ASSY- PILOT VALVE
	9	2	MPH-2513 VALVE STEM- PILOT VALVE
*	10	4	O-B-008 O-RING
	11	2	MPH-2512 SEAL GUIDE- PILOT VALVE
	12	1	VPH-5001 UPPER VALVE BLOCK
*	14	2	O-B-011 O-RING
*	15	4	O-B-014 O-RING
*	16	2	MPH-5010 DIAPHRAGM
	17	2	MPH-5009 EXHAUST PORT
*	18	2	O-B-026 O-RING
	19	4	F-CS-04C-08-SS CAP SCREW
*	20	1	O-B-125 O-RING
	21	2	MPH-3262 PISTON STOP
	22	2	MPH-2517 VALVE PISTON
*	23	2	O-D-010-90 O-RING
*	24	2	O-B-116 O-RING
	25	2	MPH-2521 VALVE END CAP
*	26	2	O-B-019 O-RING
	27	2	PF-AP-02-SS PIPE PLUG
	28	1	VPH-5005 VALVE ROD POPPET
*	29	2	O-U-206-90 O-RING
	30	1	MPH-5001 LOWER VALVE BLOCK
	31	1	PF-ST-02-BR TEE FITTING
	32	1	MPH-2546-01 RESET STEM ASSEMBLY
	33	1	MPH-2545 SEAL
	34	1	VPH-5004-01 MUFFLER ASSEMBLY
	35	2	F-FW-04 FLAT WASHER
	36	2	F-SW-04-SS LOCK WASHER
	37	1	MPH-2539 MALE ELBOW
	38	1	MPH-2538 MALE POLY TEE FITTING
	39	.56 FT	MS-2052-1 POLY TUBE
	40	2	F-HB-04C-56-SS HEX BOLT
	41	1	MPH-7004 PISTON - 7"
	42	5	VPH-5003 TIE ROD
	43	1	VPH-7001 CYLINDER
	44	1	VPH-7003 UPPER END CAP - 7"
	45	2	VPH-7005 BUSHING - UPPER PISTON ROD
*	46	2	O-B-127 O-RING
*	47	2	O-B-124 O-RING
	48	2	7205-2-26 EXTERNAL SNAP RING
	49	1	VPH-7004 UPPER PISTON ROD
	50	4	2104-4-1 TIE ROD
	51	10	F-HN-06F HEX NUT
*	52	2	O-B-167 O-RING
*	53	1	O-B-439 O-RING
*	54	2	O-B-431 O-RING
	55	4	F-CS-04C-40-SS SOCKET HEAD CAP SCREW
	56	1	PF-AP-04-SS ALLEN PLUG
	57	1	F-BHCS-04C-16-SS BUTTON HEAD CAP SCREW
	58	4	F-HB-06C-24-GR8 HEX BOLT
	59	4	F-LW-06 LOCK WASHER
	60	1	VPH-7002-HD 7" LOWER END CAP - HD
	61	1	VPH-7012 LOWER ROD - HD
	62	1	F-HB-06C-20 HEX BOLT
	63	1	F-HB-06C-40 HEX BOLT
	64	1	F-HB-06C-32 HEX BOLT
	65	1	VPH-7006 MOUNT BLOCK - SLAVE ARM CCP PWR HD
	66	4	F-SS-832-02-SS SS SET SCREW
	67	1	PF-HN-08-08S HOSE ADAPTER

OPTIONAL PARTS AND ASSEMBLIES  
PARTS LIST

PART No.	QTY	DESCRIPTION
MPH-2542	1	RESET BUTTON ASSY
VPH-SB-XL	1	SHIFT BLOCK ASSY

REPAIR KITS

PART No.	DESCRIPTION
* VPH-7000-P-HD-SK	SEAL KIT

\* ASTERISK DENOTES PARTS IN SEAL KIT

# MAGNUM VENUS PLASTECH

7" PUTTY POWER HEAD ASSEMBLY - HD VPH-7000-P-HD