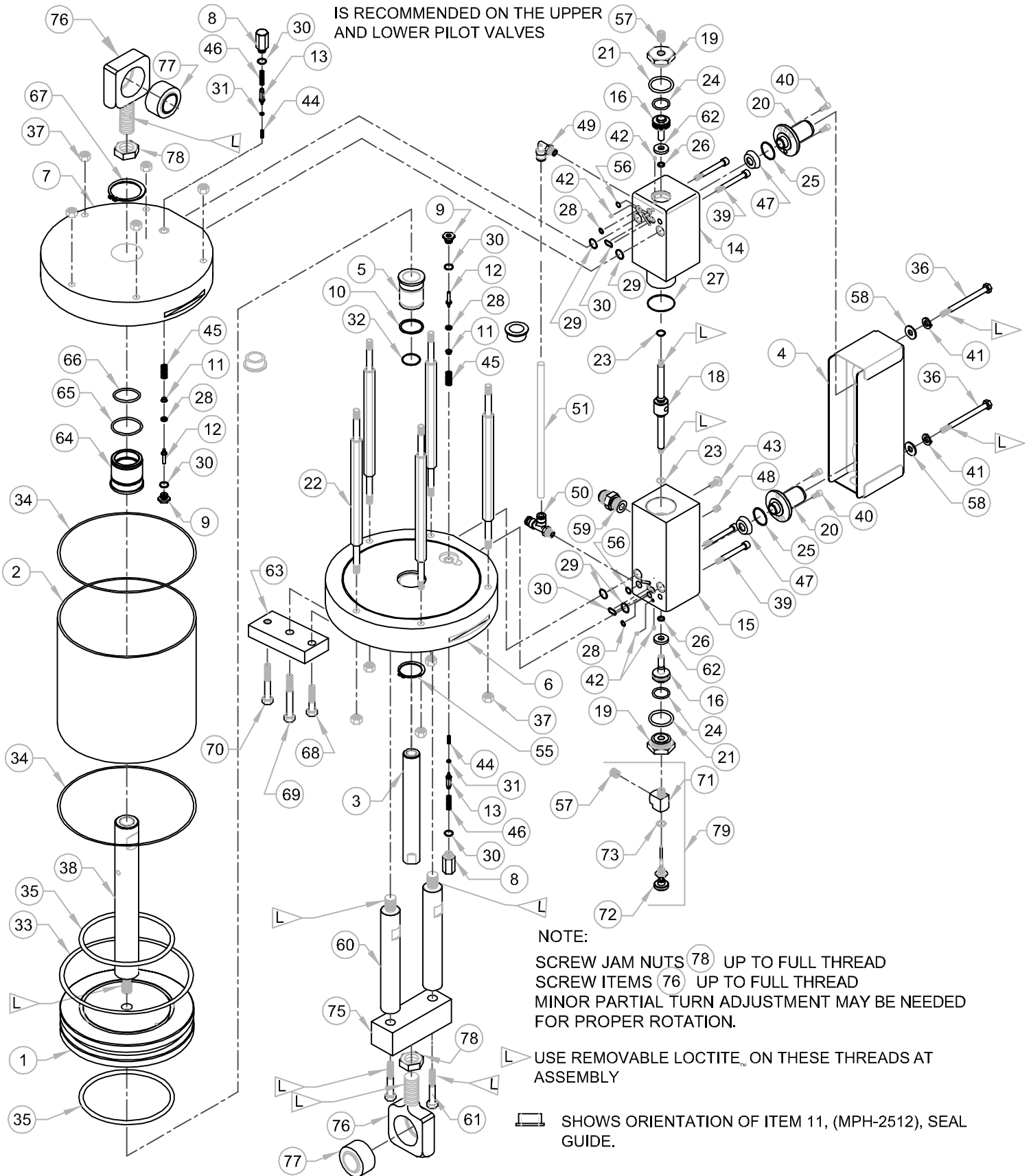


NOTE: A LIGHT COAT OF SUPER O LUBE  
IS RECOMMENDED ON THE UPPER  
AND LOWER PILOT VALVES



NOTE:

SCREW JAM NUTS (78) UP TO FULL THREAD  
SCREW ITEMS (76) UP TO FULL THREAD  
MINOR PARTIAL TURN ADJUSTMENT MAY BE NEEDED  
FOR PROPER ROTATION.

USE REMOVABLE LOCTITE™ ON THESE THREADS AT  
ASSEMBLY

SHOWS ORIENTATION OF ITEM 11, (MPH-2512), SEAL  
GUIDE.

MAGNUM VENUS PLASTECH

Assembly - EPO3 7" POWER HEAD

VPH-7000-EPO

REV. C - ITEM 71 WAS 00276, ITEM 78 WAS 00854 02/09/09 BT2  
REV. D - RELABELLED THE MPH-2542 RESET BUTTON ASSEMBLY IN OPTIONAL ASSEMBLIES 10/21/10 BT2  
REV. E - ADDED SUPER O LUBE NOTE FOR PILOT VALVES 05/25/11 BT2  
REV. F - ORIENTED MUFFLER FOR DOWNWARD EXHAUST 03/23/18 BT2

# Assy - EPO3 7" Power Head VPH-7000-EPO

## PARTS LIST

ITEM	PART NO.	QTY	DESCRIPTION
1	MPH-7004	1	PISTON - 7" PUMP
2	VPH-7001	1	CYLINDER - 7" PUMP 4" STROKE
3	VPH-7008	1	LOWER PISTON ROD
4	VPH-5004-01	1	MUFFLER ASSY
5	VPH-4254	1	PISTON ROD BUSHING
6	VPH-7011	1	LOWER ENDCAP - 7" PUMP
7	VPH-7003	1	UPPER ENDCAP - 7" PUMP
8	MPH-2541	2	INLET SPRING HOUSING PLT VALVE
9	MPH-2511-01	2	ASSY - STEM SEAL
* 10	O-B-121	1	O-RING
11	MPH-2512	2	SEAL GUIDE
12	MPH-2513	2	VALVE STEM - PILOT VALVE
13	MPH-2540	2	INLET ROD - PILOT VALVE
14	VPH-5001	1	UPPER VALVE BLOCK 4" STRKPUMP
15	MPH-5001	1	LOWER VALVE BLOCK
16	MPH-2517	2	VALVE PISTON
18	VPH-5005	1	VALVE POPPET
19	MPH-2521	2	VALVE END CAP
20	MPH-5009	2	VALVE EXHAUST
* 21	O-B-019	2	O-RING
22	VPH-5003	5	TIE ROD 4" STROKE PUMP
* 23	O-U-206-90	2	O-RING
* 24	O-B-116	2	O-RING
* 25	O-B-026	2	O-RING
* 26	O-D-010-90	2	O-RING
* 27	O-B-125	1	O-RING
* 28	O-B-008	4	O-RING
* 29	O-B-014	4	O-RING
* 30	O-B-012	6	O-RING
* 31	O-U-006	2	O-RING
* 32	O-B-118	1	O-RING
* 33	O-B-439	1	O-RING
* 34	O-B-167	2	O-RING
* 35	O-B-431	2	O-RING
36	F-HB-04C-56-SS	2	HEX BOLT
37	F-HN-06F	10	HEX NUT
38	VPH-7007	1	UPPER PISTON ROD
39	F-CS-04C-40-SS	4	CAP SCREW
40	F-CS-04C-08-SS	4	CAP SCREW
41	F-SW-04-SS	2	LOCK WASHER
42	F-SS-832-02-SS	4	SET SCREW
43	F-BHCS-04C-16-SS	1	BUTTON HEAD CAP SCREW
44	MPH-2526	2	SPRING
45	MPH-2528	2	SPRING
46	MPH-2533	2	SPRING
* 47	MPH-5010	2	DIAPHRAGM
48	PF-AP-04-SS	1	PIPE PLUG
49	MPH-2539	1	PUSH POLY FITTING - MALE ELBOW
50	MPH-2538	1	PUSH POLY FITTING - MALE TEE
51	MS-2052-1	.56ft	Ø1/4 x 6-3/4 POLY TUBING
55	MPH-3261	1	SNAP - RING
56	O-B-011	2	O-RING
57	PF-AP-02-SS	2	PIPE PLUG
58	F-FW-04	2	FLAT WASHER
59	PF-HN-08-08S	1	ADAPTER
60	VPH-7009	2	EXTENSION ROD
61	F-HB-08C-28-GR5	2	1/2 X 1 3/4 HEX CAP SCREW
62	MPH-3262	2	PISTON STOP

## PARTS LIST

ITEM	PART NO.	QTY	DESCRIPTION
63	VPH-7006	1	MOUNT BLOCK
64	VPH-7005	1	BUSHING
* 65	O-B-127	1	O-RING
* 66	O-B-124	1	O-RING
67	7205-2-26	1	SNAP RING
68	F-HB-06C-20	1	HEX BOLT
69	F-HB-06C-40	1	HEX BOLT
70	F-HB-06C-32	1	HEX BOLT
71	PF-ST-02-BR	1	TEE FITTING
72	MPH-2546-01	1	VALVE STEM ASSY
73	MPH-2545	1	SEAL
74	DONOTOILAIRMOTOR	1	DO NOT OIL DECAL (NOT SHOWN)
75	VPH-7010	1	EXTENSION BLOCK
76	60252-1	2	ROD END BODY
77	03527	2	SPHERICAL BEARING
78	F-JN-12F	2	JAM NUT

## OPTIONAL PARTS AND ASSEMBLIES PARTS LIST

ITEM	PART NO.	QTY	DESCRIPTION
79	MPH-2542	1	RESET BUTTON ASSY

\* COMPONENTS INCLUDED WITH SEAL KIT.

## REPAIR KITS

PART NO. DESCRIPTION

\* VPH-7000-P-SK SEAL KIT

FIGURE 1-1

