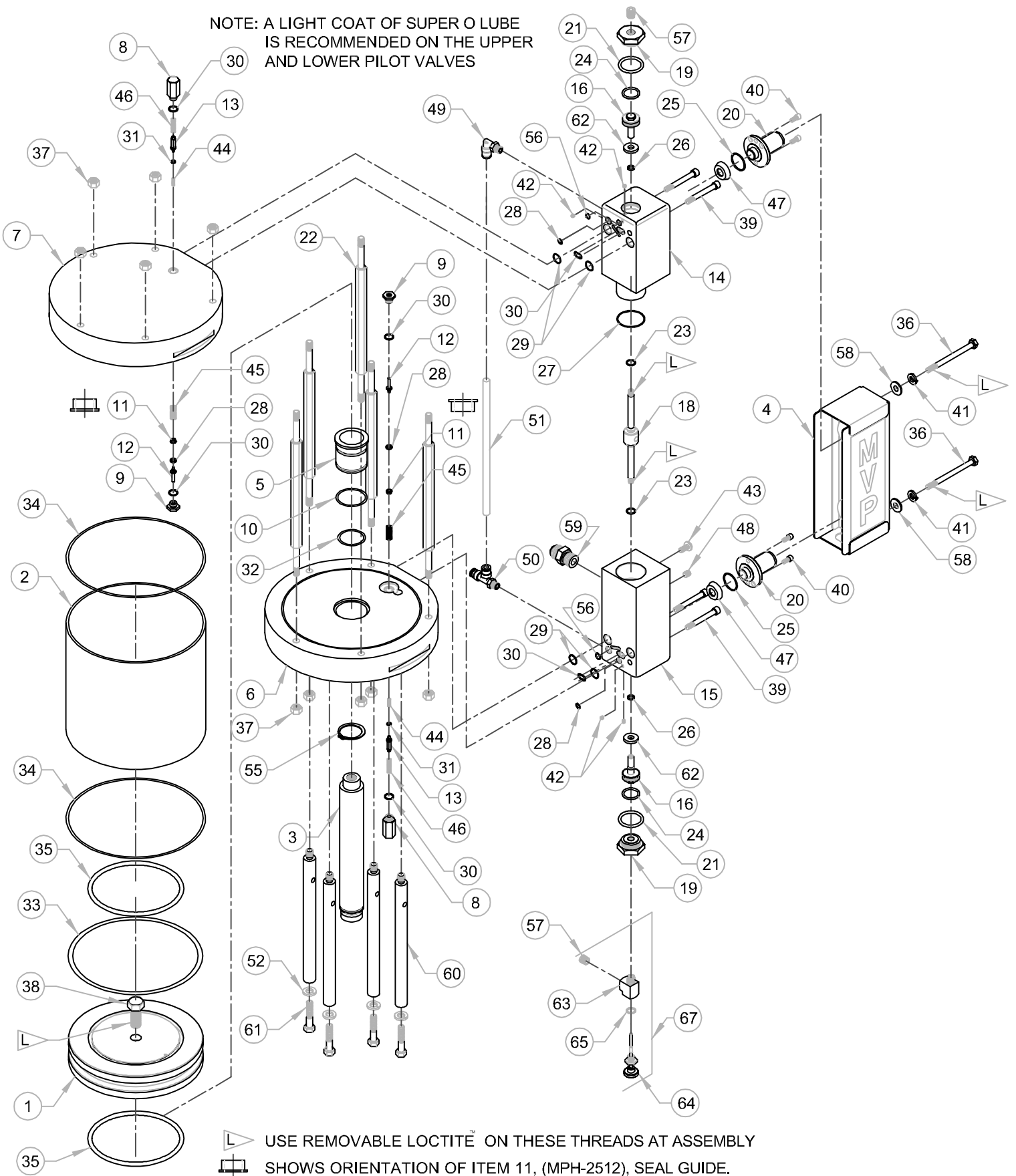


NOTE: A LIGHT COAT OF SUPER O LUBE IS RECOMMENDED ON THE UPPER AND LOWER PILOT VALVES



# MAGNUM VENUS PLASTECH

Assembly - 7" Power Head 4" Stroke VPH-7000-DUO-HD

REV. - 03/01/11 BT2  
 REV. A - ADDED SUPER O LUBE NOTE FOR PILOT VALVES 05/25/11 BT2  
 REV. B - ORIENTED MUFFLER FOR DOWNWARD EXHAUST 02/23/18 BT2

# 7" Power Head 4" Stroke VPH-7000-DUO-HD

## PARTS LIST

ITEM	PART NO.	QTY	DESCRIPTION
1	MPH-7004	1	PISTON
2	VPH-7001	1	CYLINDER
3	VPH-7012	1	PISTON ROD
4	VPH-5004-01	1	MUFFLER ASSEMBLY
5	VPH-7005	1	BUSHING
6	VPH-7002-HD	1	LOWER ENDCAP
7	MPH-7001	1	UPPER ENDCAP
8	MPH-2541	2	INLET SPRING HOUSING
9	MPH-2511-01	2	ASSY - STEM SEAL
* 10	O-B-127	1	O-RING
11	MPH-2512	2	SEAL GUIDE
12	MPH-2513	2	VALVE STEM - PILOT VALVE
13	MPH-2540	2	INLET ROD - PILOT VALVE
14	VPH-5001	1	UPPER VALVE BLOCK
15	MPH-5001	1	LOWER VALVE BLOCK
16	MPH-2517	2	VALVE PISTON
18	VPH-5005	1	VALVE POPPET
19	MPH-2521	2	VALVE END CAP
20	MPH-5009	2	VALVE EXHAUST
* 21	O-B-019	2	O-RING
22	VPH-5003	5	TIE ROD
* 23	O-U-206-90	2	O-RING
* 24	O-B-116	2	O-RING
* 25	O-B-026	2	O-RING
* 26	O-D-010-90	2	O-RING
* 27	O-B-125	1	O-RING
* 28	O-B-008	4	O-RING
* 29	O-B-014	4	O-RING
* 30	O-B-012	6	O-RING
* 31	O-U-006	2	O-RING
* 32	O-B-124	1	O-RING
* 33	O-B-439	1	O-RING
* 34	O-B-167	2	O-RING
* 35	O-B-431	2	O-RING
36	F-HB-04C-56-SS	2	HEX BOLT
37	F-HN-06F	10	HEX NUT
38	F-HBFT-08C-20-GR5	1	HEX BOLT
39	F-CS-04C-40-SS	4	CAP SCREW
40	F-CS-04C-08-SS	4	CAP SCREW
41	F-SW-04-SS	2	LOCK WASHER
42	F-SS-832-02-SS	4	SET SCREW
43	F-BHCS-04C-16-SS	1	BUTTON HEAD CAP SCREW
44	MPH-2526	2	SPRING
45	MPH-2528	2	SPRING
46	MPH-2533	2	SPRING
* 47	MPH-5010	2	DIAPHRAGM
48	PF-AP-04-SS	1	PIPE PLUG
49	MPH-2539	1	POLY ELBOW
50	MPH-2538	1	POLY TEE
51	MS-2052-1	.56ft	Ø1/4 TUBING
52	F-SW-06	4	LOCK WASHER
55	7205-2-26	1	SNAP RING
* 56	O-B-011	2	O-RING
57	PF-AP-02-SS	2	PIPE PLUG
58	F-FW-04	2	FLAT WASHER
59	PF-HN-08-08S	1	ADAPTER
60	DUO-3006	4	TIE ROD

## PARTS LIST

ITEM	PART NO.	QTY	DESCRIPTION
61	F-HB-06C-24-GR8	4	HEX BOLT
62	MPH-3262	2	PISTON STOP
63	PF-ST-02-BR	1	TEE FITTING
64	MPH-2546-01	1	VALVE STEM ASSY
65	MPH-2545	1	SEAL
66	DONOTOILAI RMOTOR	1	DO NOT OIL DECAL (NOT SHOWN)

## OPTIONAL PARTS AND ASSEMBLIES

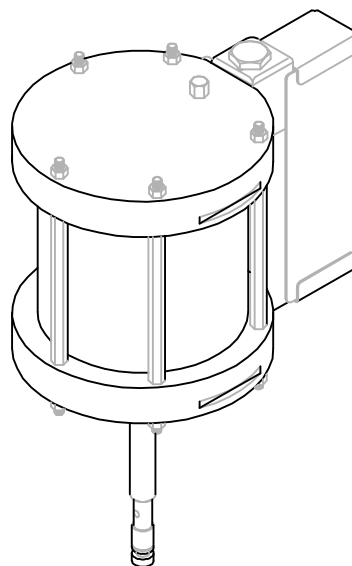
### PARTS LIST

ITEM	PART NO.	QTY	DESCRIPTION
67	MPH-2542	1	RESET BUTTON ASSY
	VPH-SB-XL	1	SHIFT BLOCK ASSY

## REPAIR KITS

PART NO.	DESCRIPTION
* VPH-7000-HD-SK	SEAL KIT

FIGURE 1-1



\* COMPONENTS INCLUDED WITH SEAL KIT.