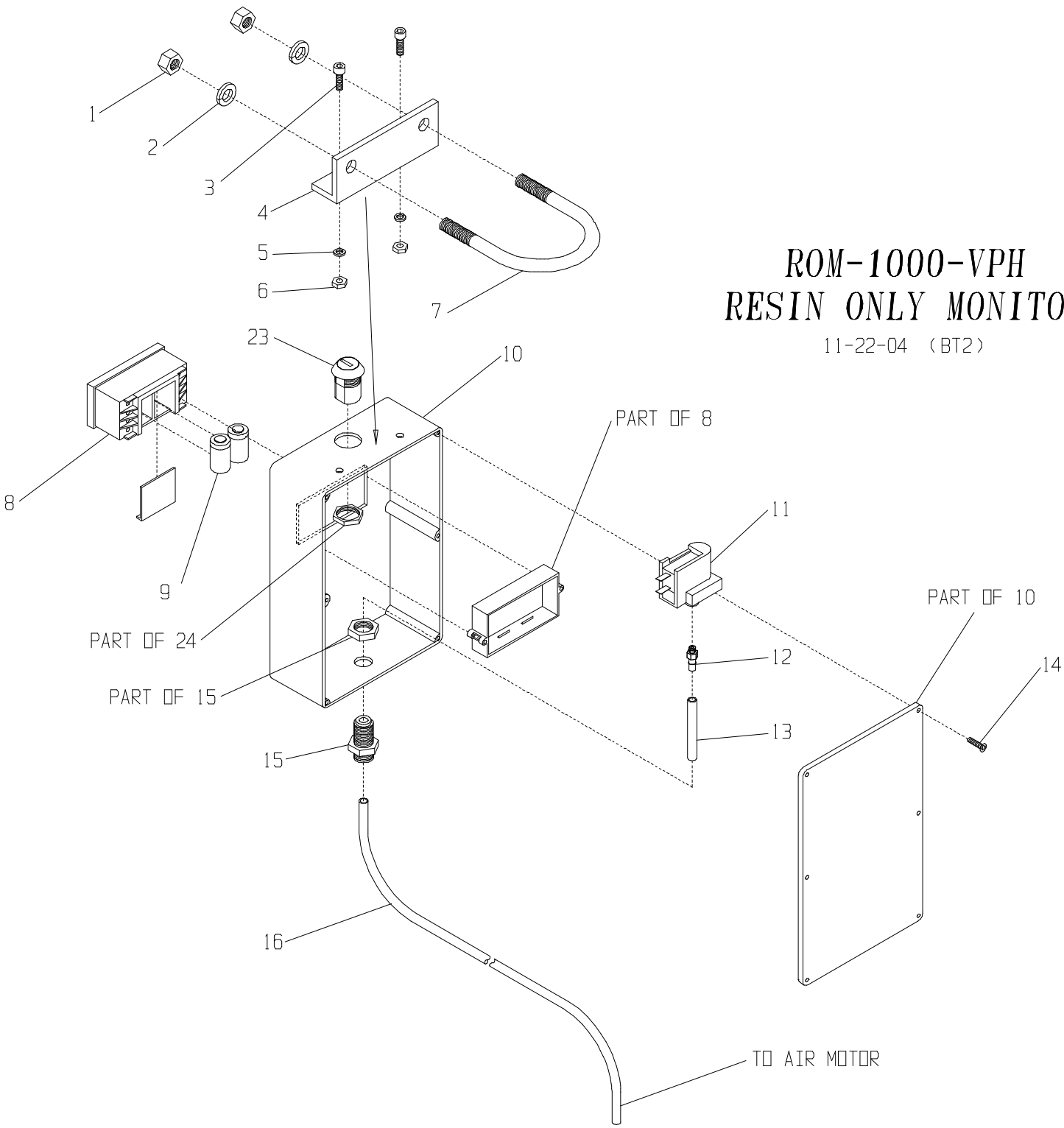
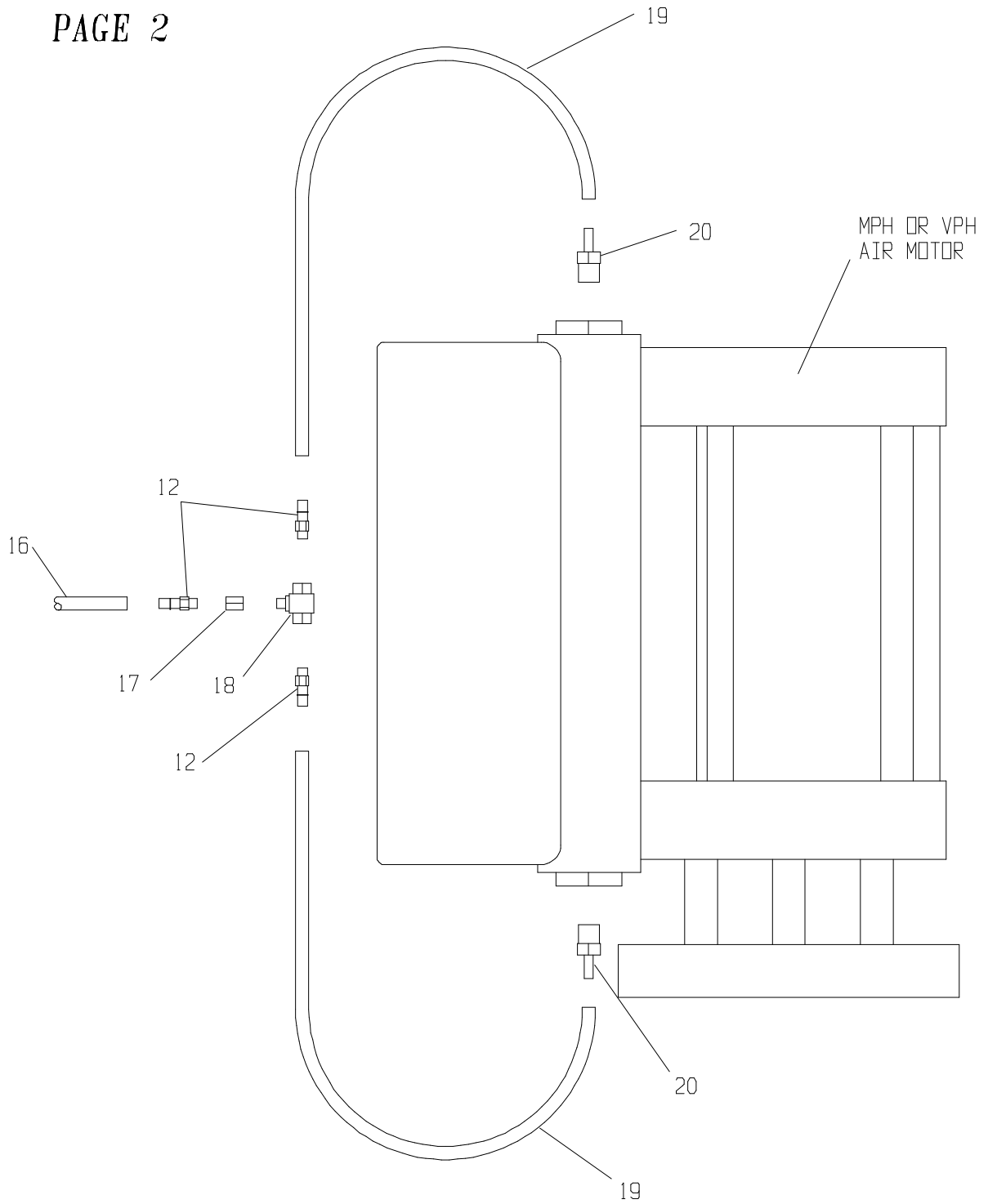


ROM-1000-VPH RESIN ONLY MONITOR

11-22-04 (BT2)

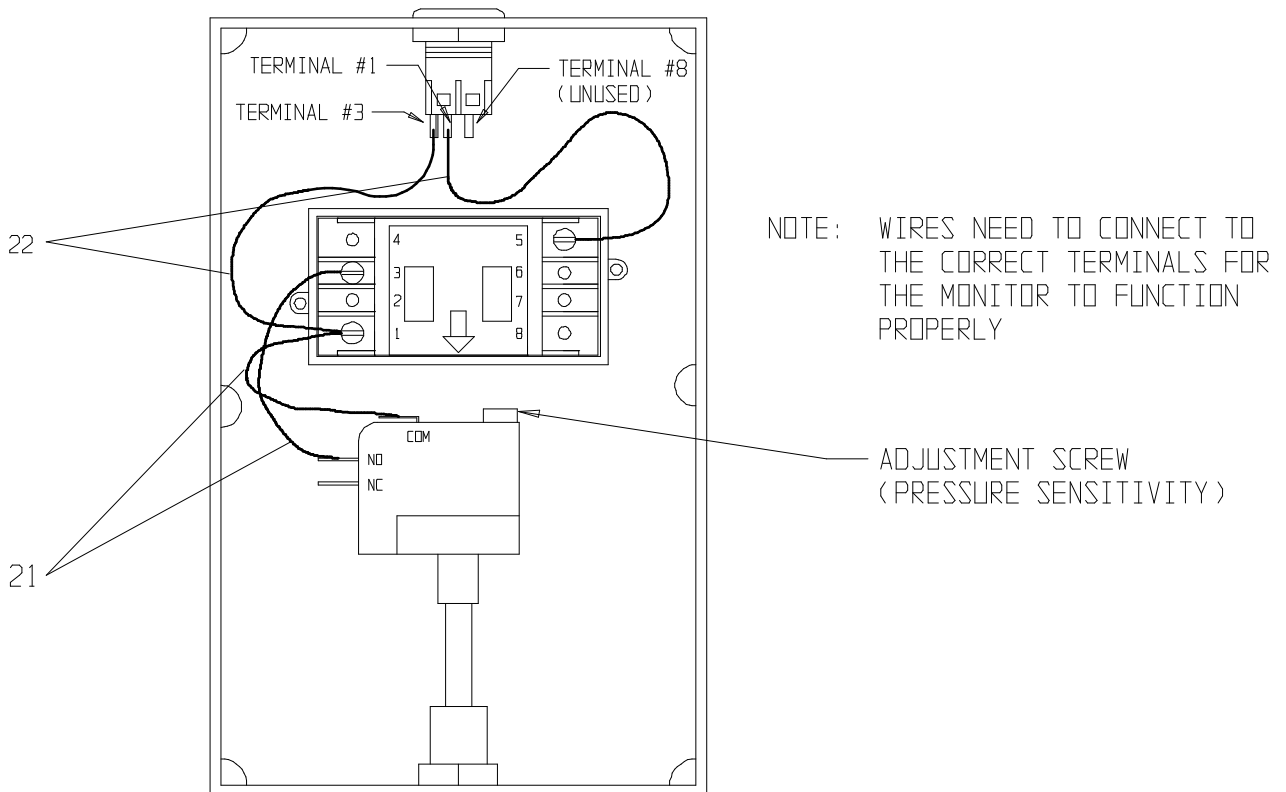


ROM-1000-VPH
CATALYST ALARM
PAGE 2



AIR MOTOR SIGNAL
SCHEMATIC

ROM-1000-VPH CATALYST ALARM PAGE 3



WIRING SCHEMATIC

**ROM-1000-VPH
RESIN ONLY MONITOR
11-22-04
CUSTOMER PARTS KEY**

ITEM	PART #	DESCRIPTION	QTY
1	F-HN-06C	HEX NUT	2
2	F-SW-06	SPLIT WASHER	2
3	F-CS-1024-10	CAP SCREW	2
4	MK-4016	BRACKET	1
5	ATC-40208	SPLIT WASHER	2
6	F-HN-1024	HEX NUT	2
7	F-UB-06C-40	U-BOLT	1
8	MK-4002	RATE METER	1
9	MK-4017	BATTERY	2
10	MK-5001	BOX AND COVER	1
11	ROM-1001-FIT	PRESSURE SWITCH	1
12	TRU-1022	BARB FITTING	4
13	MPM-2052-2"	TUBING	1
14	F-CHMS-632-08	MACHINE SCREW	6
15	ROM-1002	BULKHEAD FITTING	1
16	MPM-2052-3	TUBING	1
17	ROM-1006	FITTING	1
18	ROM-1005	3-WAY VALVE	1
19	MPM-2052-10"	TUBING	2
20	MPM-2565	TUBE FITTING	2
21	ROM-1004	WIRE	2
22	ROM-1007	WIRE	2
23	MK-4012	KEY SWITCH	1