

NOTE REFERENCES FOR MOUNTING ORIENTATION (HANDLE LOCATIONS, CFS AND PNEUMATIC PANEL MOUNT HOLES)

MAGNUM VENUS PRODUCTS

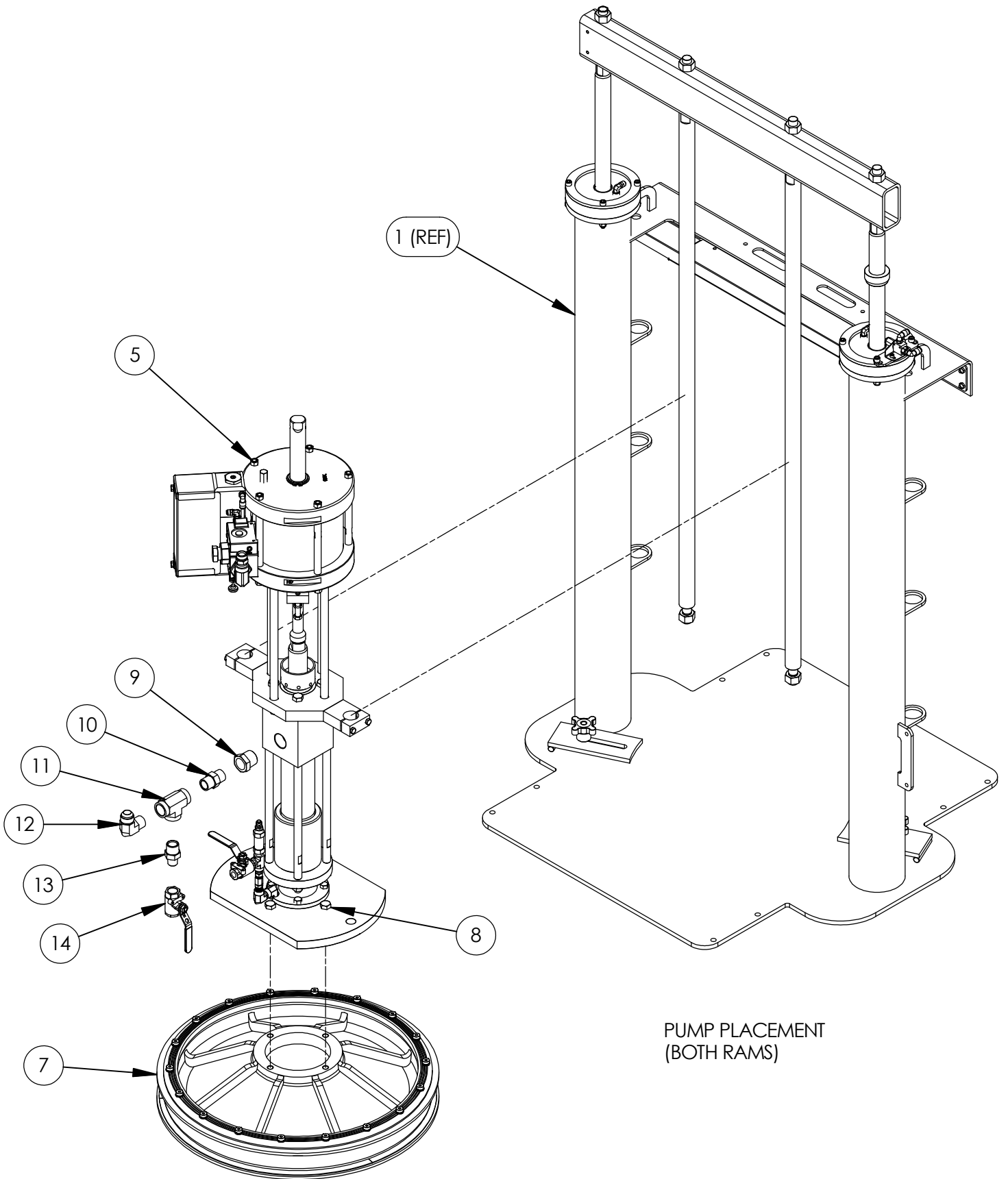
1 TO 1 CARTRIDGE FILLING MACHINE

IMA-CCP-ADH-CFS-B

REV:

SHEET 1 / 4

11/17/2017



MAGNUM VENUS PRODUCTS

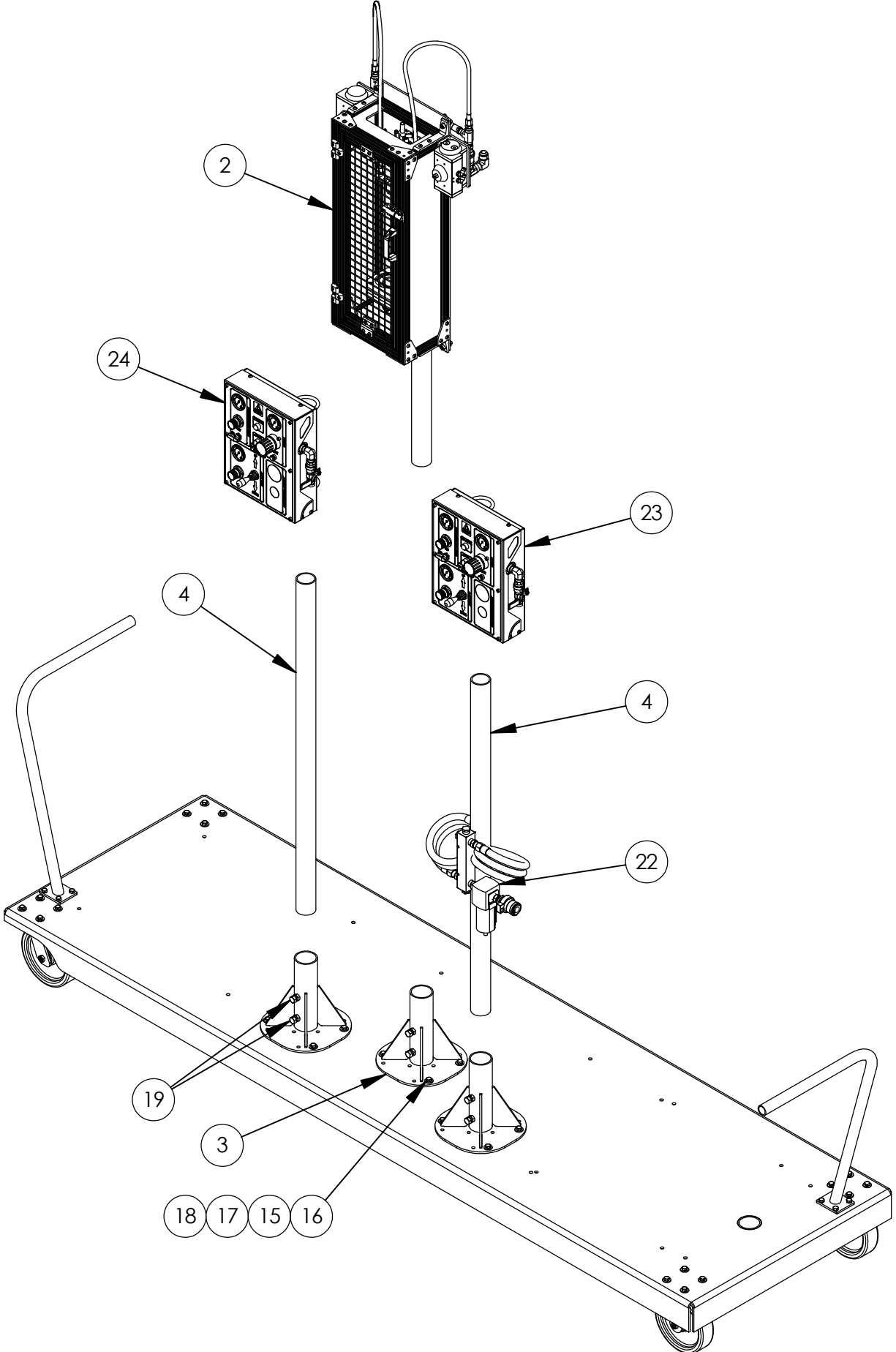
1 TO 1 CARTRIDGE FILLING MACHINE

IMA-CCP-ADH-CFS-B

REV:

SHEET 2 / 4

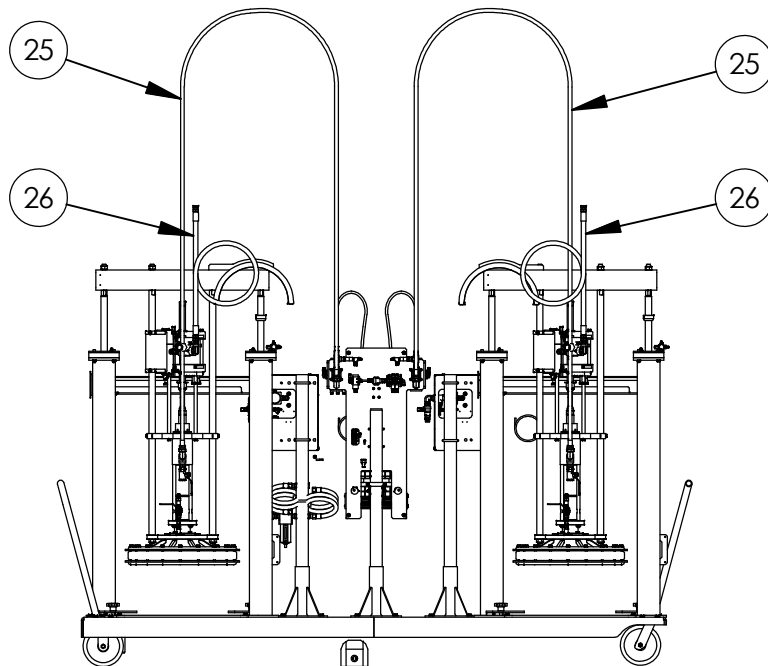
11/17/2017



MAGNUM VENUS PRODUCTS

1 TO 1 CARTRIDGE FILLING MACHINE	IMA-CCP-ADH-CFS-B
----------------------------------	-------------------

Parts List			
ITEM	PART NUMBER	QTY	DESCRIPTION
1	APD-2100	2	RAM FRAME ASSEMBLY
2	CFS-1000-B	1	1 :1 CARTRIDGE FILLING MACHINE
3	UCM-1001	3	UNIVERSAL COLUMN MOUNT WELDMENT
4	COL-48IN	2	MOUNT COLUMN
5	CCP-29100-NS-SS	2	PUMP ASSEMBLY - NO SLAVE BRACKET
6	APD-2400	1	NARROW CART ASSEMBLY
7	APD-1500-A	2	ADHESIVE PISTON ASSEMBLY
8	F-HB-08C-28-GR5	8	HEX BOLT
9	PF-RB-16-12-SS	2	REDUCER BUSHING
10	PF-HN-12-SS	2	HEX NIPPLE
11	PF-FT-12-SS	2	FEMALE TEE
12	PF-ME-12-12J-SS	2	MALE ELBOW
13	PF-HN-12-08-SS	2	HEX NIPPLE
14	BV-88-316	2	BALL VALVE
15	F-FW-06	20	FLAT WASHER - Inch
16	F-HB-06C-20	20	HEX BOLT - Inch
17	F-SW-06	20	LOCK WASHER - Inch
18	F-HN-06C	20	HEX NUT - Inch
19	F-HB-08C-12	6	HEX BOLT - Inch
20	APD-BRKT-HC-1R	1	HOSE CARRIER
21	APD-BRKT-HC-1	1	HOSE CARRIER
22	CFS-MA-1	1	AIR MANIFOLD
23	PCN-RAM-5	1	SINGLE RAM CONTROL PANEL, MAIN UNIT CFS 1:1
24	PCN-RAM-4	1	SINGLE RAM CONTROL PANEL, SECONDARY UNIT 1:1
25	HCSS-1212J12J-15	2	SS HOSE
26	01745-1	2	AIR HOSE ASSEMBLY



MAGNUM VENUS PRODUCTS

1 TO 1 CARTRIDGE FILLING MACHINE	IMA-CCP-ADH-CFS-B
----------------------------------	-------------------