

MAGNUM VENUS PRODUCTS

Auto Pro Gun Assembly

CPC-1000-A

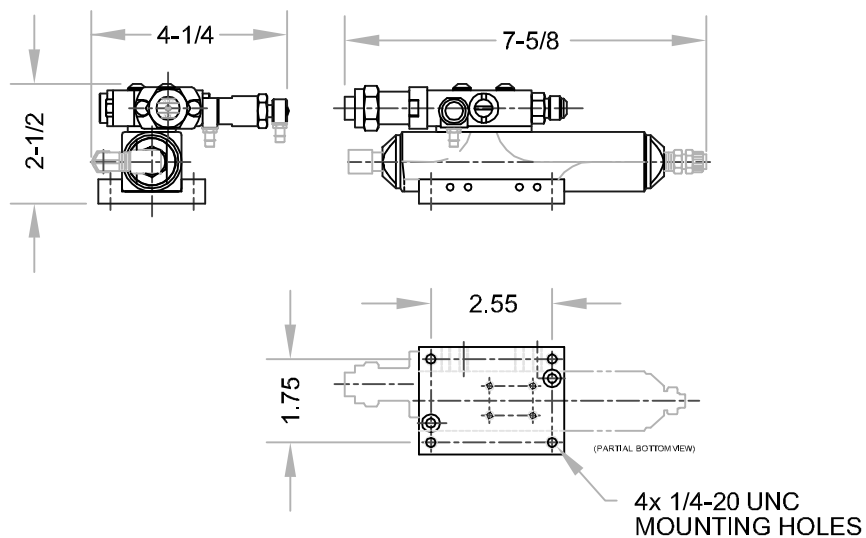
Auto Pro Gun Assembly CPC-1000-A

PARTS LIST

ITEM	PART NO.	QTY	DESCRIPTION
1	58704-1	1	MOUNTING PAD - PRO GUN
2	CPC-1200-A	1	ACTUATOR ASSEMBLY
3	5104-00-01-A	1	GUN BLOCK ASSEMBLY
4	F-SW-04	1	LOCK WASHER
5	F-HB-04C-08	1	HEX BOLT
6	5107-27-3	1	STD TURBULENT MIXER
7	FT-552	1	FLAT TIP
8	8704-4-1	1	NOZZLE CAP
9	02806-2	2	PAN HEAD SCREW

OPTIONAL PARTS AND ASSEMBLIES

ITEM	PART NO.	QTY	DESCRIPTION
3A	5104-00-03-A	1	ABRASIVE GUN BLOCK
6A	5107-27-2	1	CRITICAL TURBULENT MIXER



NOTE: WEIGHT (AS SHOWN) = 835 GRAMS.