

MAGNUM VENUS PRODUCTS

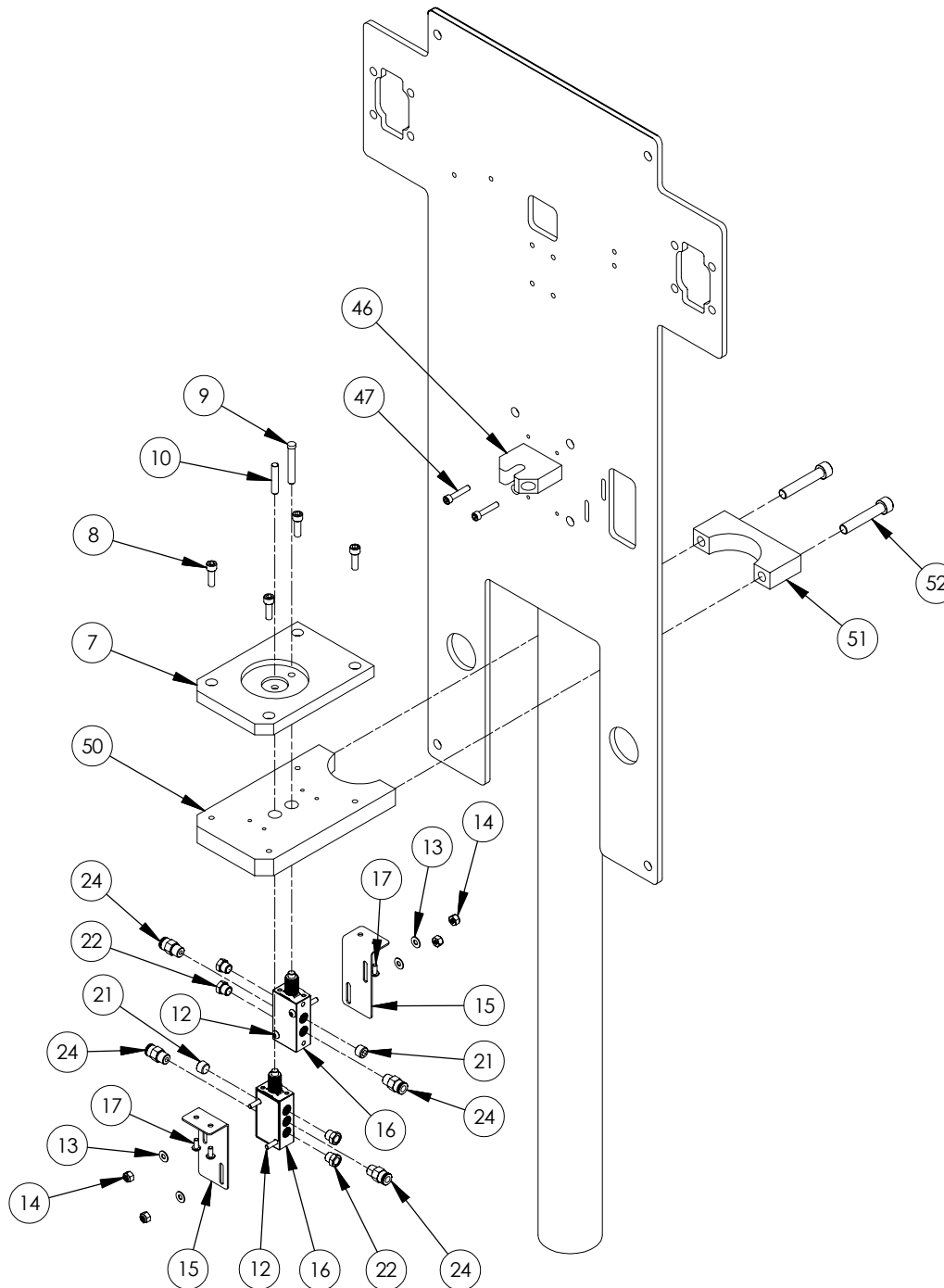
10:1 COAXIAL CARTRIDGE FILLING MACHINE

CFS-1000-D

REV:

SHEET 1 / 6

1/11/2017



MAGNUM VENUS PRODUCTS

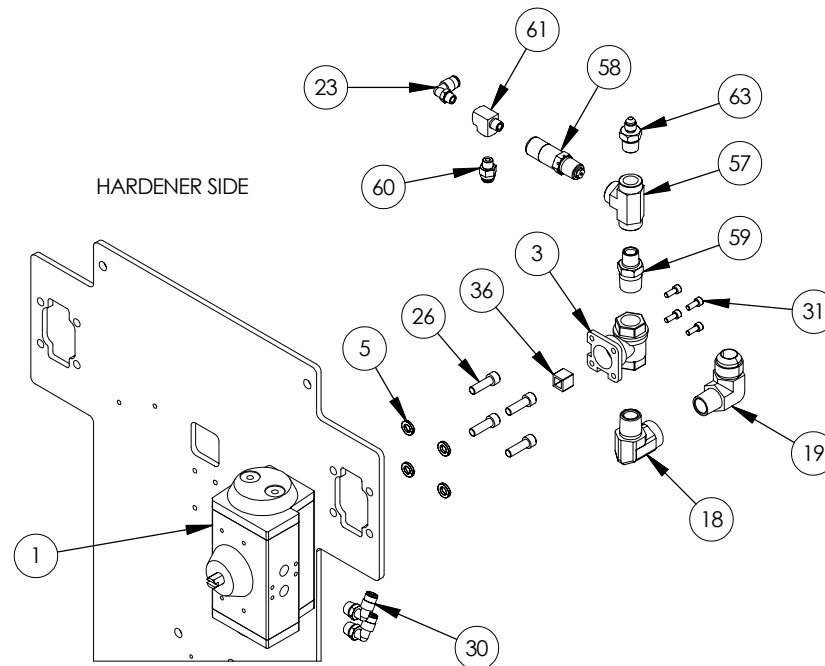
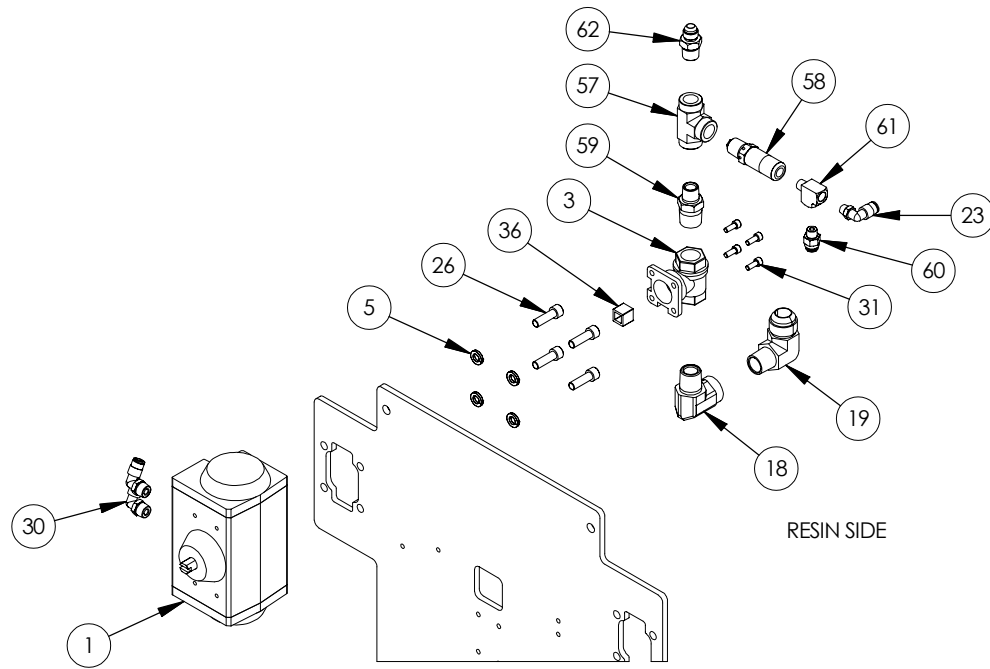
10:1 COAXIAL CARTRIDGE FILLING MACHINE

CFS-1000-D

REV:

SHEET 2 / 6

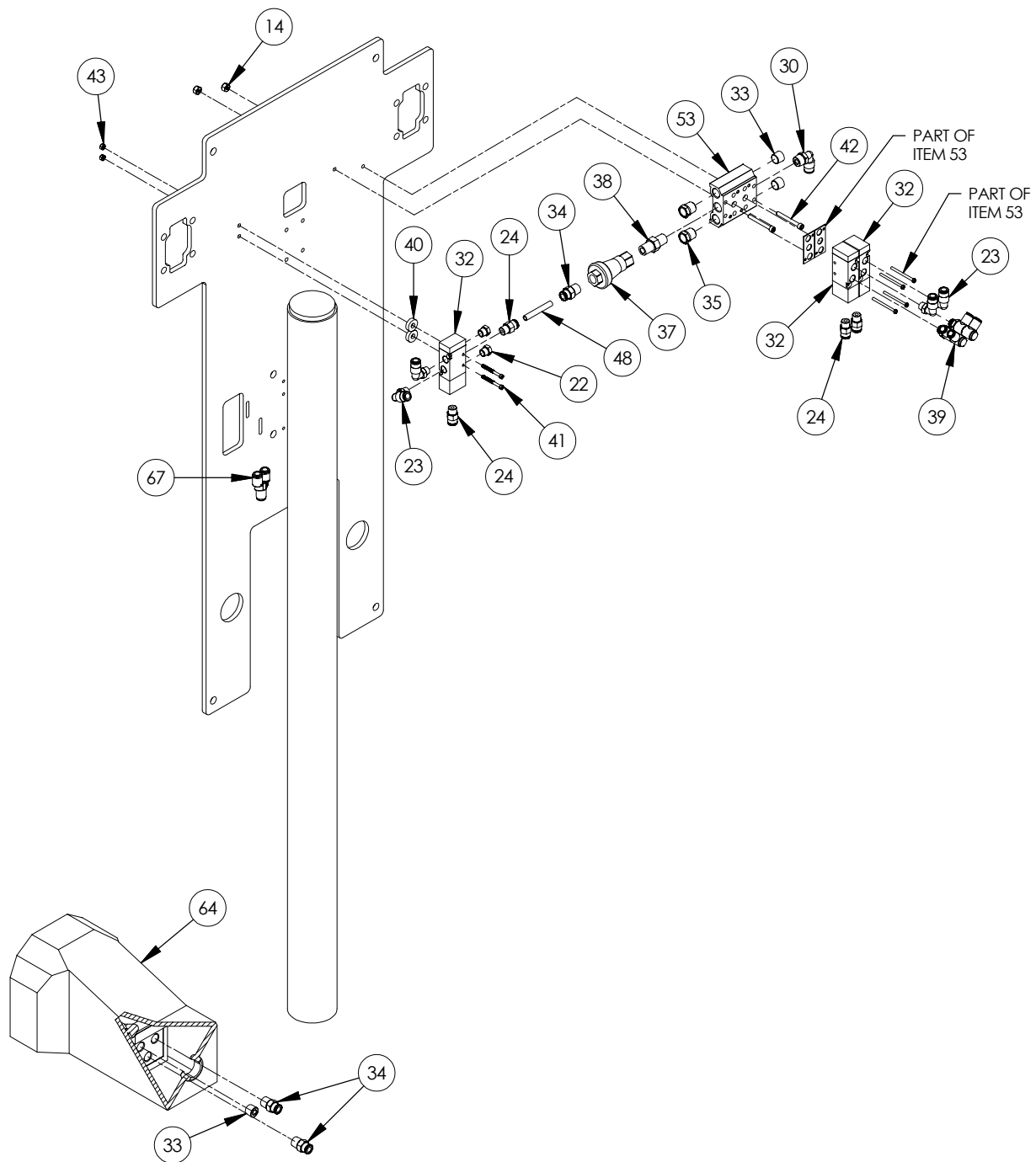
1/11/2017



MAGNUM VENUS PRODUCTS

10:1 COAXIAL CARTRIDGE FILLING MACHINE

CFS-1000-D



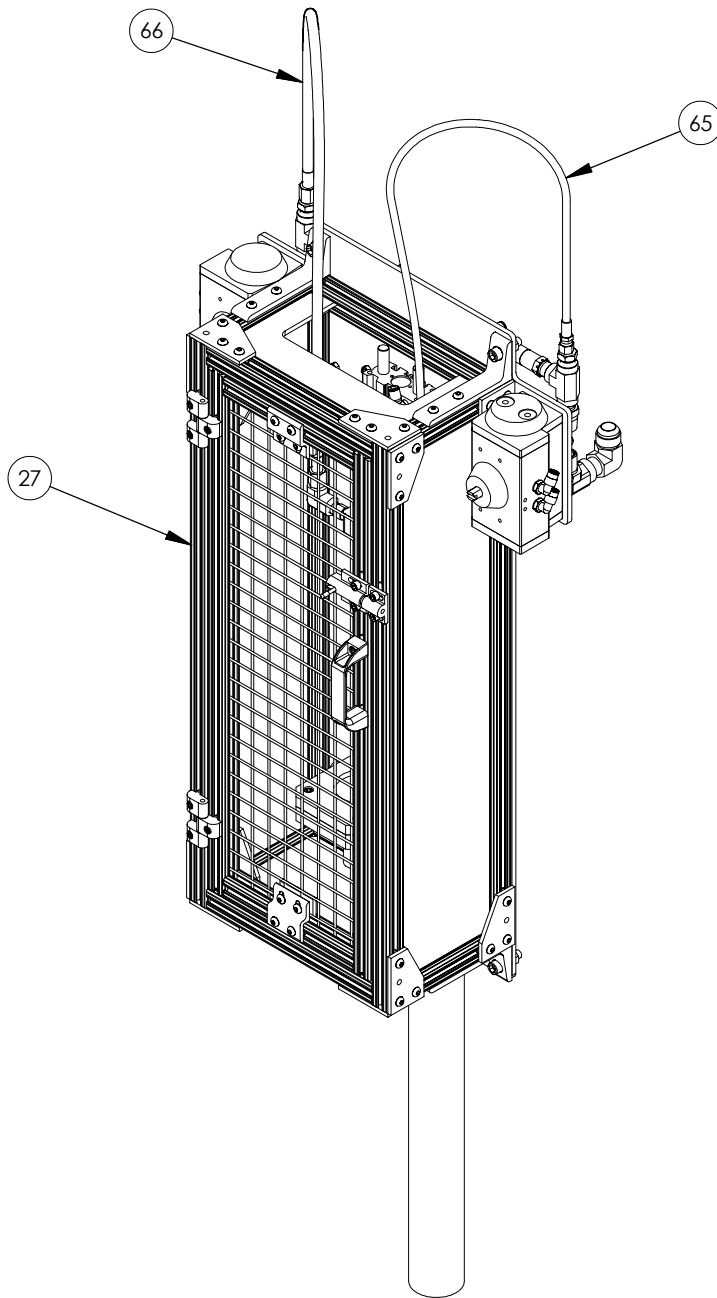
MAGNUM VENUS PRODUCTS

10:1 COAXIAL CARTRIDGE FILLING MACHINE	CFS-1000-D
--	------------

REV:

SHEET 4 / 6

1/11/2017



MAGNUM VENUS PRODUCTS

10:1 COAXIAL CARTRIDGE FILLING MACHINE

CFS-1000-D

REV:

SHEET 5 / 6

1/11/2017

Parts List				Parts List			
ITEM	PART NUMBER	QTY	DESCRIPTION	ITEM	PART NUMBER	QTY	DESCRIPTION
1	CFS-1001	2	ACTUATOR - BALL VALVE	47	F-CS-1024-16	2	CAP SCREW
2	CFS-1003	1	LINEAR ACTUATOR	48	MPM-2052-1	.25 FT	TUBE
3	CFS-1002	2	BALL VALVE	50	CFS-1042	1	BASE PLATE - COAXIAL
4	F-CS-1032-16	4	CAP SCREW	51	CFS-1008	1	CLAMP COLLAR
5	F-SW-05	8	LOCK WASHER	52	F-CS-06C-32	2	ALLEN CAP SCREW
7	CFS-1043	1	CARTRIDGE BOTTLE SUPPORT	53	PNE-MAN-102	1	MANIFOLD - 2 STATION
8	F-CS-04C-12	4	CAP SCREW	54	CV-CFS-04-SS	2	CHECK VALVE
9	CFS-1017	1	STOPPER PIN	55	PF-SE-04F-04J-SS	1	STREET ELBOW
10	F-DP-04-20-316	1	DOWEL PIN	56	PF-SE-04F-06J-SS	1	STREET ELBOW
11	PNE-4W-104	1	4-WAY VALVE	57	PF-FT-06-SS	2	FEMALE TEE
12	F-BHCS-832-20	6	BUTTON HEAD CAP SCREW	58	PLV-1000-2700	2	PRESSURE LIMIT VALVE - 2700 psi
13	F-FW-832	6	FLAT WASHER	59	PF-HN-06-08-SS	2	HEX NIPPLE
14	F-LN-832	8	LOCK NUT	60	PNE-FCO-101	2	FLOW CONTROL ORIFICE
15	CFS-1019	2	VALVE BRACKET	61	PF-ST-02-BR	2	TEE FITTING
16	PNE-4W-105	2	4-WAY VALVE	62	PF-HN-06-06J-SS	1	HEX NIPPLE
17	F-BHCS-832-06	4	BUTTON HEAD CAP SCREW	63	PF-HN-06-04J-SS	1	HEX NIPPLE
18	PF-SE-08-SS	2	STREET ELBOW	64	FPD-2001	1	FOOT PEDAL WITH GUARD
19	PF-ME-08-12J-SS	2	MALE ELBOW	65	HCSS-044J4J-3	1	SS HOSE
20	PNE-FCV-101	2	FLOW CONTROL VALVE	66	HCSS-0606J-3	1	SS HOSE
21	PF-AP-02	3	PIPE PLUG	67	06946	1	POLY Y FITTING
22	00403	8	BREATHER VENT				
23	MPH-2539	7	MALE ELBOW				
24	07223	8	MALE CONNECTOR				
25	CFS-1011	1	CARTRIDGE FILLING PANEL				
26	F-CS-05C-16	8	CAP SCREW				
27	CFS-GRD-100	1	CE NORM GUARD				
28	F-CS-1024-32	4	CAP SCREW				
29	F-LN-1024	4	NYLOCK NUT				
30	07233	5	MALE POLY ELBOW				
31	F-CS-1032-08	8	CAP SCREW				
32	PNE-4W-106	3	4-WAY VALVE				
33	PF-AP-04	3	ALLEN PLUG				
34	07224	3	MALE CONNECTOR				
35	MPM-2568	2	BREATHER VENT				
36	CFS-1004	2	VALVE ADAPTER				
37	PNE-IPR-101	1	REGULATOR 45 PSI				
38	PF-HN-04	1	HEX NIPPLE				
39	PTF90-02-04X2	3	TUBE FITTING				
40	F-FW-04SE	2	SPACER				
41	F-CS-540-20	2	CAP SCREW				
42	F-CS-832-24	2	CAP SCREW				
43	F-LN-540	2	NYLOCK NUT				
44	CFS-1046	2	NOZZLE				
45	CFS-1045	1	NOZZLE HOLDER				
46	CFS-1047	1	ALIGNMENT BLOCK				

MAGNUM VENUS PRODUCTS

10:1 COAXIAL CARTRIDGE FILLING MACHINE

CFS-1000-D