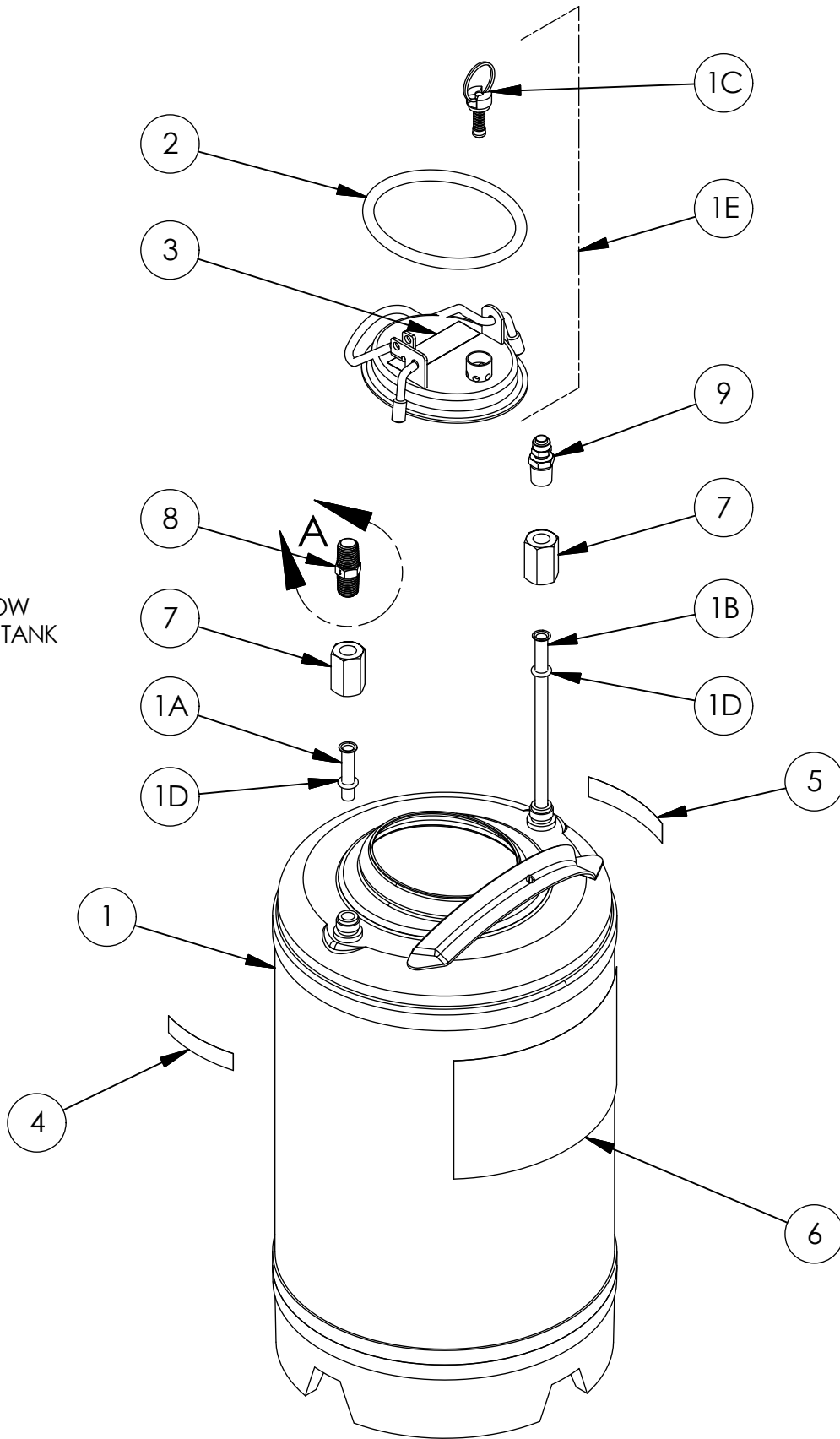


DETAIL A
CHECK VALVE FLOW
ARROW TOWARD TANK



MAGNUM VENUS PRODUCTS

FLUSH TANK ASSEMBLY - 3 GALLON

6101-01-01

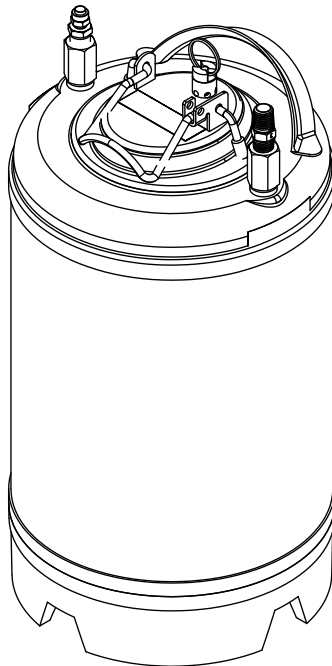
REV:

SHEET 1 / 2

6/30/2020

Parts List			
ITEM	PART NUMBER	QTY	DESCRIPTION
1	8703-2-1	1	3 GALLON FLUSH TANK
2	O-E-5-381	2	O-RING (1 SPARE INCLUDED)
3	6701-12-EN	1	FLUSH TANK DECAL PRESSURE RELIEF INSTRUCTION
4	6701-13-EN	1	FLUSH TANK DECAL AIR
5	6701-14-EN	1	FLUSH TANK DECAL SOLVENT
6	95172-EN	1	FLUSH TANK DECAL
7	55210-3	2	FLUSH TANK FITTING
8	CV-04-101	1	1 PSI CHECK VALVE
9	00383	1	MALE CONNECTOR

Parts Included in 8703-2-1			
ITEM	PART NUMBER	QTY	DESCRIPTION
1A	8703-3-1	1	INLET TUBE
1B	8703-4-1	1	OUTLET TUBE
1C	8703-5-1	1	RELIEF VALVE
1D	O-E-109	2	O-RING
1E	6101-02-01	1	LID ASSEMBLY



MAGNUM VENUS PRODUCTS

FLUSH TANK ASSEMBLY - 3 GALLON

6101-01-01

REV:

SHEET 2 / 2

6/30/2020