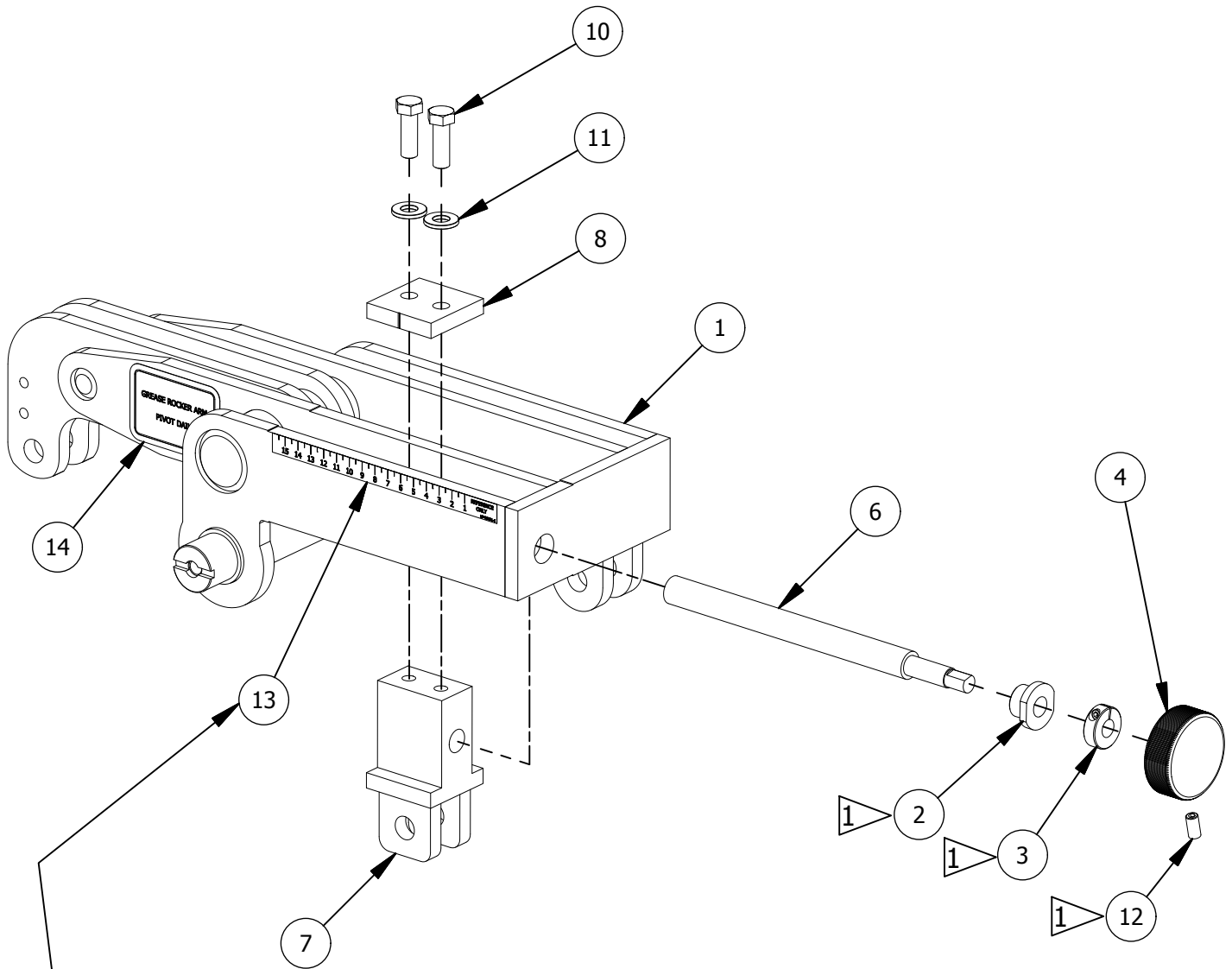
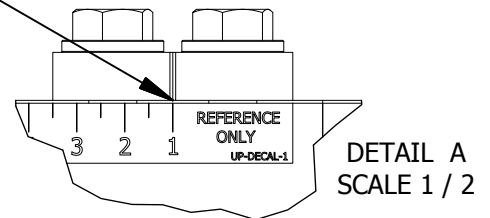


NOTES:

1 USE BLUE LOCTITE 242



ADJUSTABLE DRIVE MUST BE SCREWED ALL THE WAY OUT. DECAL TO BE PLACED SO THE #1 POSITION LINES UP WITH MARK ON LOWER SLIDE BLOCK.



MAGNUM VENUS PLASTECH

SLAVE ARM ASSEMBLY

UPSD-3100

Parts List			
ITEM	PART NUMBER	QTY	DESCRIPTION
1	UPSD-3101	1	SLAVE ARM
2	UPSD-3103	1	UPPER SCREW BUSHING
3	UPSB-1007	1	CLAMP COLLAR
4	UPSB-1008	1	SCREW KNOB
6	UPSD-3104	1	UPPER SLAVE SCREW
7	UPSD-3108	1	UPPER SLIDE BLOCK
8	UPSB-1010	1	SLIDE BLOCK PLATE
10	F-HB-08C-24	2	HEX CAP SCREW
11	F-FW-08-Z	2	FLAT WASHER
12	F-SS-06C-12	1	SET SCREW
13	UP-DECAL-1	1	REFERENCE DECAL
14	UPSD-DECAL-1	1	GREASE ROCKER ARM DECAL

MAGNUM VENUS PLASTECH

SLAVE ARM ASSEMBLY

UPSD-3100