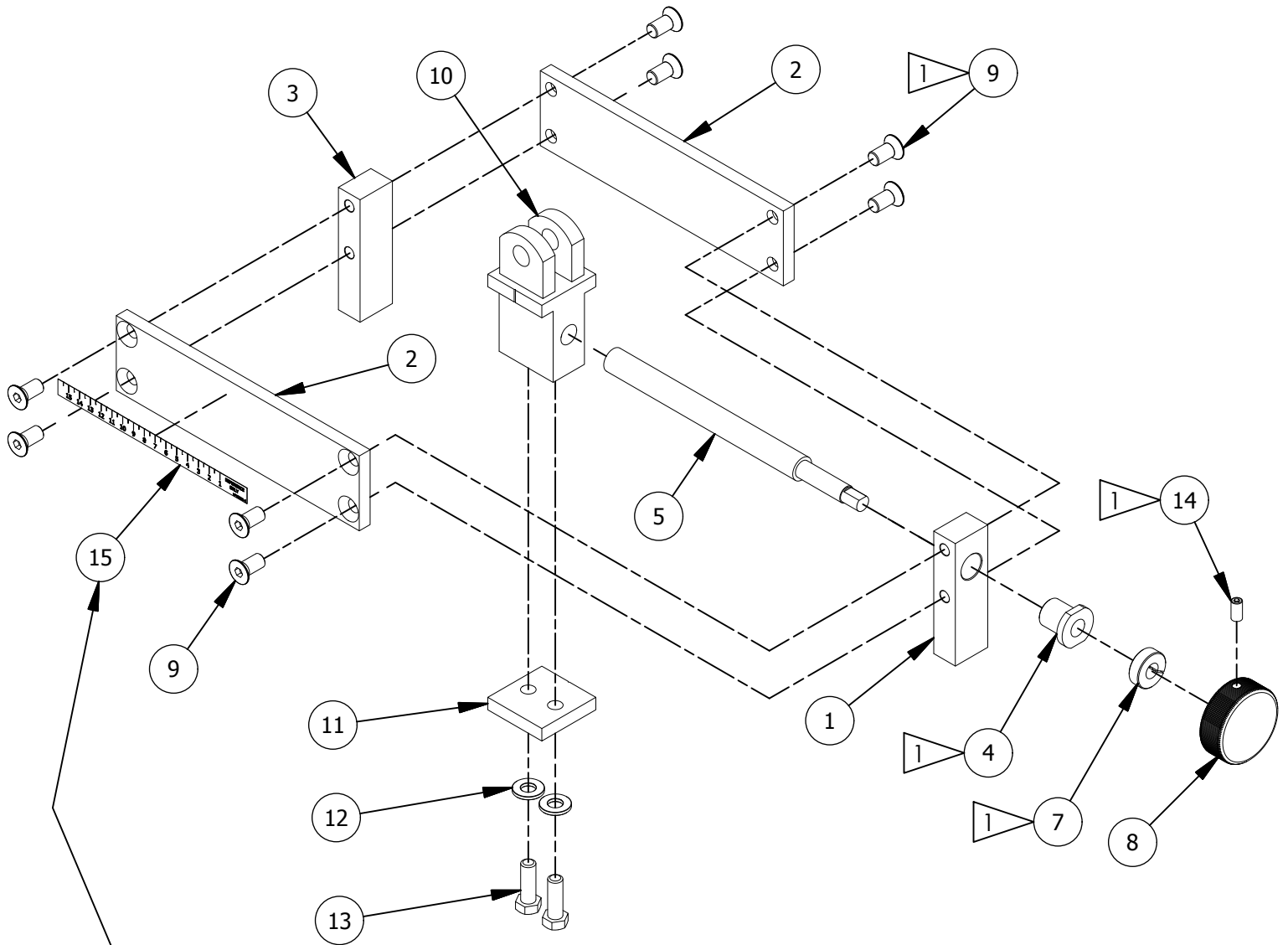
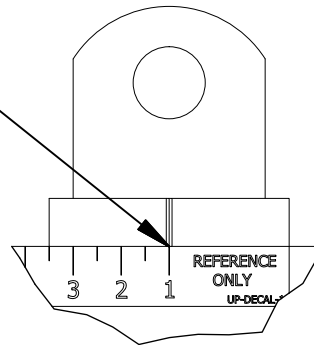


NOTES:

1 USE BLUE LOCTITE 242



ADJUSTABLE DRIVE MUST BE SCREWED ALL THE WAY OUT. DECAL TO BE PLACED SO THE #1 POSITION LINES UP WITH MARK ON LOWER SLIDE BLOCK.



DETAIL A
SCALE 1 / 2

MAGNUM VENUS PLASTECH

SLIDE BOX

UPSB-1000

Parts List			
ITEM	PART NUMBER	QTY	DESCRIPTION
1	UPSB-1003	1	END PLATE
2	UPSB-1001	2	SIDE PLATE
3	UPSB-1002	1	END PLATE
4	UPSB-1004	1	LOWER SCREW BUSHING
5	UPSB-1005	1	LOWER SLAVE SCREW
7	UPSB-1007	1	CLAMP COLLAR
8	UPSB-1008	1	SCREW KNOB
9	F-FHCS-08C-16	8	FLAT HD SCREW
10	UPSB-1009	1	LOWER SLIDE BLOCK
11	UPSB-1010	1	SLIDE BLOCK PLATE
12	F-FW-08-Z	2	FLAT WASHER
13	F-HB-08C-24	2	HEX CAP SCREW
14	F-SS-06C-12	1	SET SCREW
15	UP-DECAL-1	1	REFERENCE DECAL

MAGNUM VENUS PLASTECH

SLIDE BOX

UPSB-1000