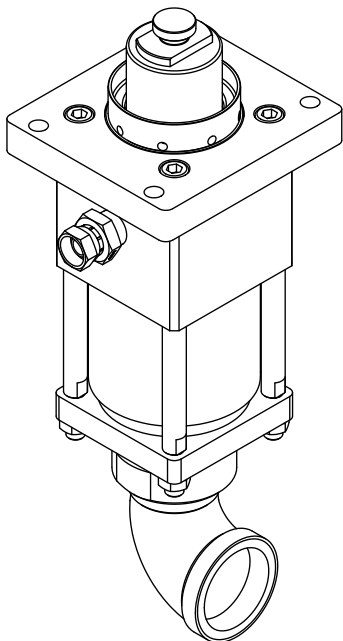


# MAGNUM VENUS PLASTECH

FLUID SECTION ASSEMBLY

PAT-LS-49090

Parts List				
ITEM	PART NUMBER	QTY	DESCRIPTION	
1	PAT-LS-4003	1	TRANSITION PLATE	
2	PAT-LS-4001	1	OUTLET BODY	
3	PAT-LS-4002	1	INLET BODY	
4	PAT-LS-4015	1	INLET VALVE	
5	PAT-LS-4008	1	FLUID ROD	
6	PAT-LS-4007	1	PISTON - 3-1/2 DIA.	
7	PAT-LS-4009	1	PISTON VALVE	
8	PAT-LS-4004	1	PACKING NUT	
9	PAT-LS-4005	1	ROD GUIDE	
10	PAT-LS-4013	1	PISTON GUIDE	
11	PAT-LS-4011	1	PISTON BALL STOP	
12	PAT-LS-4029	1	FOOT COLLAR	
*	13	PAT-LS-4016	3	ROD SEAL
*	14	PAT-LS-4014	1	PISTON SEAL
*	15	O-E-241	1	O-RING
*	16	O-E-231	1	O-RING
17	PAT-LS-4026	1	CHROME BALL	
18	PAT-LS-4027	1	CHROME BALL	
19	04315-1	1	TAPERED SPRING	
20	04072-1	1	TAPERED SPRING	
21	04309-1	1	BALL STOP - HV HIS PUMP	
*	22	O-E-237	1	O-RING
23	PAT-LS-4031	4	TIE ROD	
24	F-HN-08C	4	HEX NUT	
25	F-CS-08C-24	4	CAP SCREW	
26	00714	1	PIPE ELBOW	
27	PF-SW-12M-08F	1	PIPE SWIVEL	



PART No.                    DESCRIPTION  
 \* PAT-LS-49090-SK        SEAL KIT

\* NOTE: ASTERISKS DENOTE PARTS USED IN SEAL KIT

# MAGNUM VENUS PLASTECH

FLUID SECTION ASSEMBLY

PAT-LS-49090