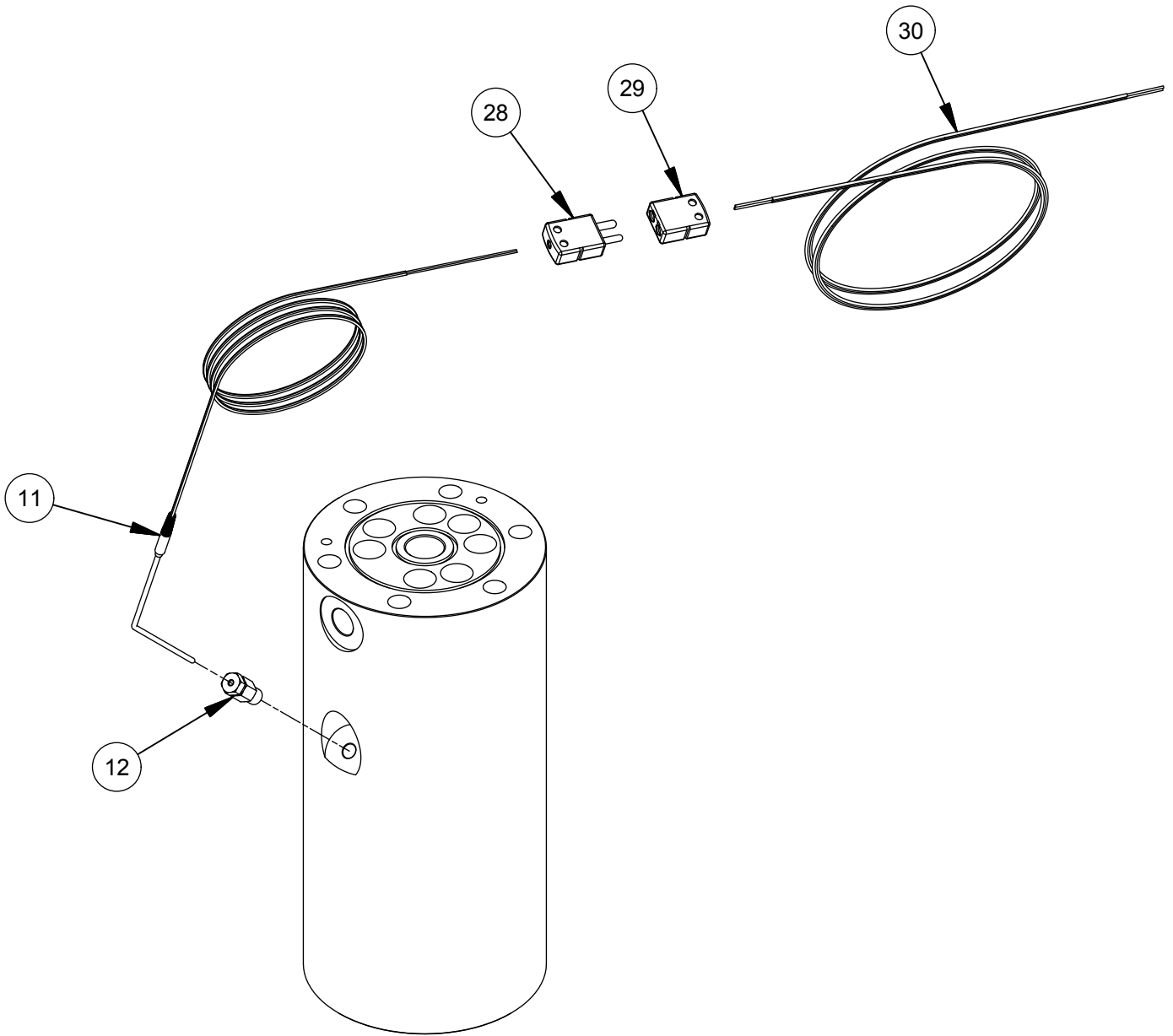


NOTE: ITEMS 22 AND 23 ARE SENT IN SEPARATE BAG WITH HEATER

MAGNUM VENUS PRODUCTS

RESIN HEATER FOR UPU UNITS	CFH-5000-1-UPU
----------------------------	----------------



MAGNUM VENUS PRODUCTS

RESIN HEATER FOR UPU UNITS	CFH-5000-1-UPU
----------------------------	----------------

Parts List			
ITEM	PART NUMBER	QTY	DESCRIPTION
1	CFH-5010	1	HEATER CORE
2	CFH-3078	2	END CAP
3	CFH-3079	6	TIE ROD
4	F-FW-08-Z	12	FLAT WASHER
5	F-HN-08F-GR8	12	HEX NUT
6	MPD-9750-03	14	MIXER ELEMENT
7	O-T-127	2	O-RING
8	O-T-154	2	O-RING
9	PF-AP-12	2	ALLEN PLUG
10	CFH-5040	1	4000 WATT CARTRIDGE HEATER
11	E-TC-100	1	THERMOCOUPLE
12	E-TCC-100	1	THERMOCOUPLE COMPRESSION FITTING
13	09112	1	CONDUIT NIPPLE
14	09503	1	CONDUIT BOX - 1/2 PORT ELBOW
15	CFH-3089	2	MOUNT BRACKET
16	F-HN-06C	4	HEX NUT
17	F-HB-05F-14-GR8	4	HEX BOLT
18	F-SW-06	8	LOCK WASHER
19	F-FW-06	12	FLAT WASHER
20	PF-SE-08	2	STREET ELBOW
21	09575	1	BULKHEAD FITTING STRAIN RELIEF
22	09842	2	WIRE NUT-ORANGE
23	9802-1-3	1	SPADE TONGUE
24	E-C-104	10 FT	SHIELDED CABLE
25	CFH-5011	1	DECAL PLATE
26	CFH-DECAL-5000-1	1	DECAL
27	F-HB-06C-20	4	HEX BOLT
28	E-TCP-102	1	THERMOCOUPLE PLUG
29	E-TCP-103	1	THERMOCOUPLE PLUG JACK
30	E-TCW-100	10 FT	THERMOCOUPLE WIRE
31	F-RP-04-12-SS	4	ROLL PIN

MAGNUM VENUS PRODUCTS

RESIN HEATER FOR UPU UNITS

CFH-5000-1-UPU