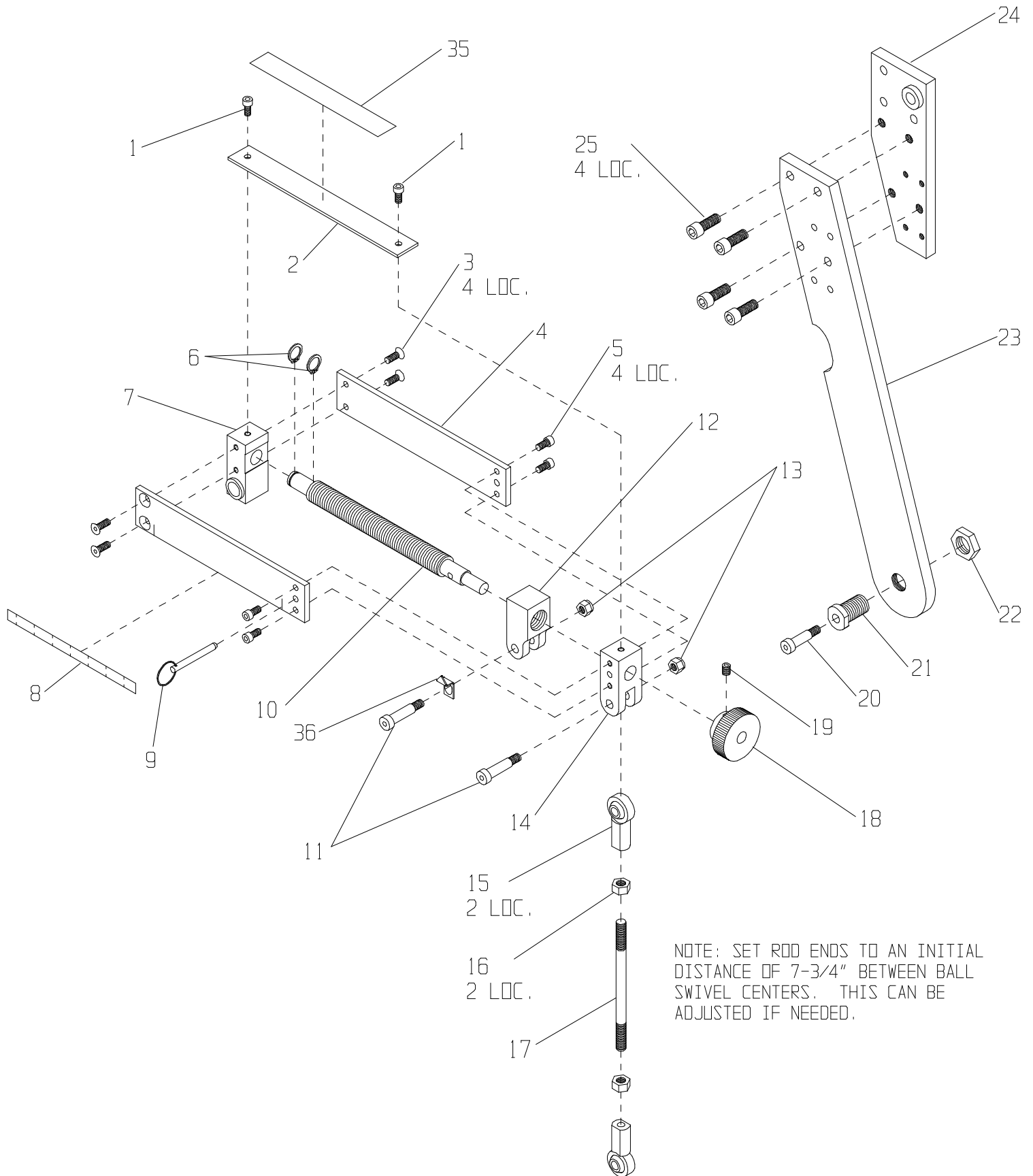
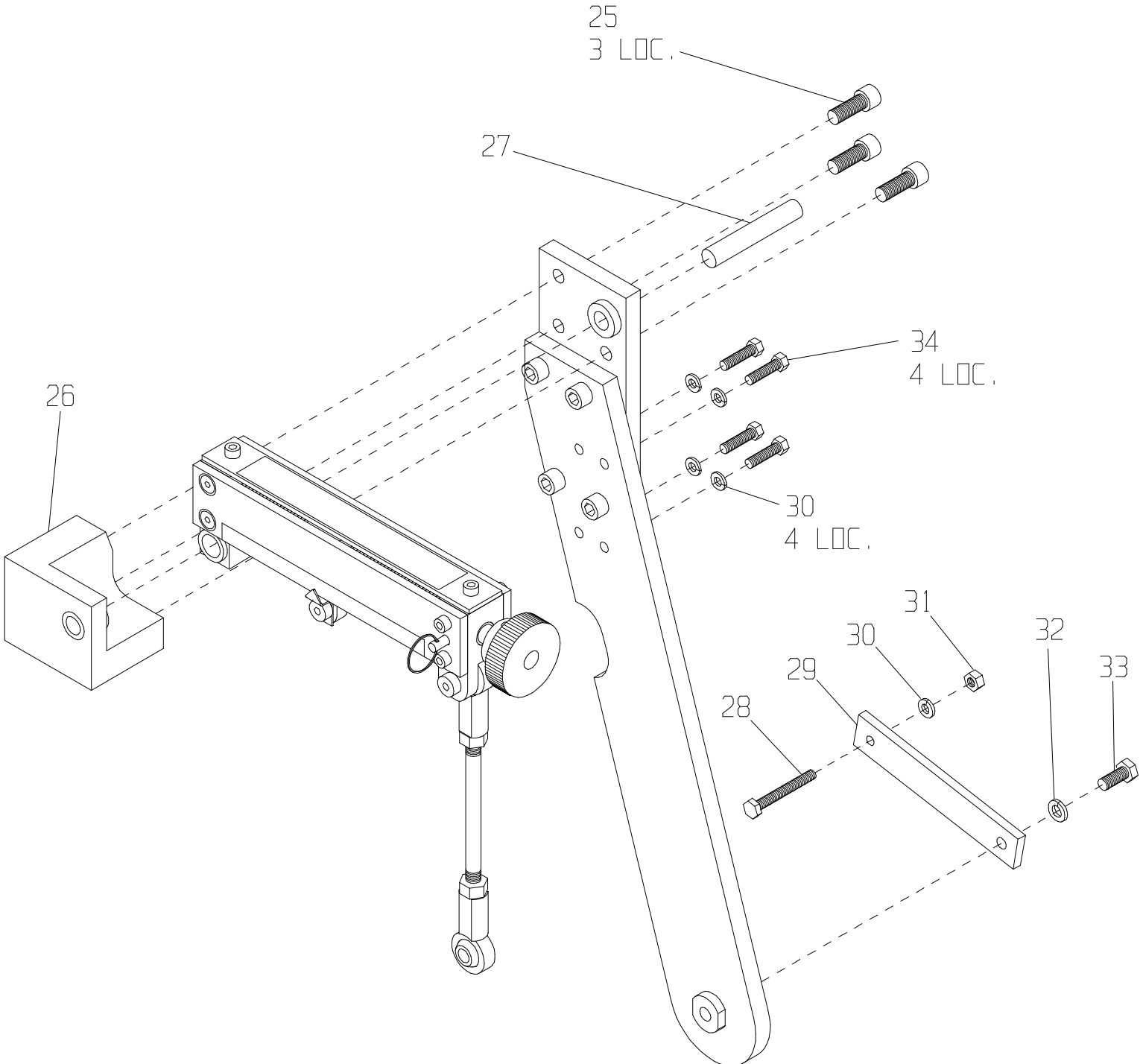


APS-3100-G ADVANCED PROPORTIONER

03-23-16 (BT2)



APS-3100-G
ADVANCED PROPORTIONER
PAGE 2



**APS-3100-G
 ADVANCED PROPORTIONER
 03-23-16
 CUSTOMER PARTS KEY**

| ITEM | PART # | DESCRIPTION | QTY |
|-------------|---------------------|--------------------|------------|
| 1 | F-CS-04C-08 | CAP SCREW | 2 |
| 2 | APS-1012 | COVER | 1 |
| 3 | F-FHCS-04C-12 | FLAT HEAD SCREW | 4 |
| 4 | APS-1013 | SIDE PLATE | 2 |
| 5 | F-CS-04C-12 | CAP SCREW | 4 |
| 6 | APS-1015 | SNAP RING | 2 |
| 7 | APS-1007-01 | PIVOT BLOCK | 1 |
| 8 | APS-1014-GEL | PERCENTAGE DECAL | 1 |
| 9 | APS-1016 | CLEVIS PIN | 1 |
| 10 | APS-1010 | LEAD SCREW | 1 |
| 11 | APS-1018 | SHOULDER BOLT | 2 |
| 12 | APS-1009 | ADJUSTER BLOCK | 1 |
| 13 | F-LN-05C | HEX NUT | 2 |
| 14 | APS-1008 | END PIECE | 1 |
| 15 | APS-1006 | ROD END | 2 |
| 16 | F-HN-06F | HEX NUT | 2 |
| 17 | APS-1005 | SPACER ROD | 1 |
| 18 | DUAL-2012 | ADJUSTMENT KNOB | 1 |
| 19 | F-SS-05C-06 | SET SCREW | 1 |
| 20 | APS-1019 | SHOULDER BOLT | 1 |
| 21 | APS-1004 | BOTTOM MOUNT | 1 |
| 22 | APS-1020 | NUT | 1 |
| 23 | APS-1001 | OUTER ARM | 1 |
| 24 | APS-1002-01 | INNER ARM | 1 |
| 25 | F-CS-06C-16-NY | CAP SCREW | 7 |
| 26 | APS-1003-01 | RETAINER BLOCK | 1 |
| 27 | APS-1017 | DOWEL PIN | 1 |
| 28 | F-HB-04C-32 | HEX BOLT | 1 |
| 29 | APS-1011 | BRACE | 1 |
| 30 | F-SW-04 | SPLIT WASHER | 5 |
| 31 | F-HN-04C | HEX NUT | 1 |
| 32 | F-SW-05 | SPLIT WASHER | 1 |
| 33 | F-HB-05C-12 | HEX BOLT | 1 |
| 34 | F-HB-04C-16-GR5 | HEX BOLT | 4 |
| 35 | PINCH-POINT-LBL-APS | LABEL | 1 |
| 36 | APS-1029 | POINTER | 1 |