

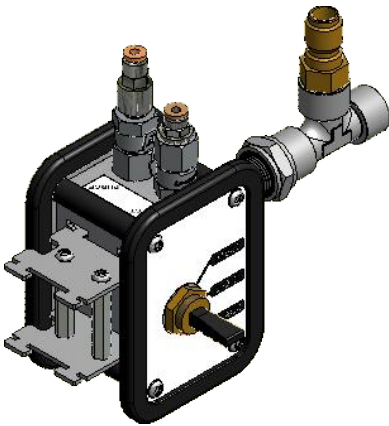
MAGNUM VENUS PRODUCTS

IVX3 CONTROL MODULE	8015
---------------------	------

Parts List			
ITEM	PART NUMBER	QTY	DESCRIPTION
2	1	0248	1 UNION 3/8 X 3/8 BSP STEEL
	2	0301	12 BUTTON HEAD CAP SCREW
2	3	0463	1 AUTOSPRUE RESIN CONNECTOR
	4	0619	2 TUBE FITTING
	5	0627	2 TUBE FITTING
	6	0645	2 SWIVEL ELBOW
2	7	0673	1 3/8 BSP FEMALE TEE
	8	0904	2 PLUG
	9	6715	0.6 IVX3 CONTROL BOX TRIM
	10	6734	4 THREADED SPACER
	11	7066	1 IVX3 CONT MOD LID PLATE
	12	7067	2 IVX3 CONT MOD SIDE PLATE
	13	7068	2 IVX3 CONT MOD END PLATE
	14	7069	1 IVX3 CONT MOD BASE PLATE
	15	7070	1 IVX3 CONT MOD SPACER PLATE
	16	7071	2 IVX3 CONT MOD JOINER PLATE
	17	7072	4 HEX SPACER F/F M4X50
	18	7073	2 HEX SPACER F/F M4X35
	19	7076	1 TOGGLE VALVE
	20	7078	1 TEE
	21	7079	2 .060 FLUID/TIP NEEDLE
	22	7080	2 QUICK COUPLER PLUG G1/8 F
	23	7081	1 IVX3 CONT MOD LID LABEL
	24	7082	1 IVX3 CONT MOD END LABEL
	25	7083	0.2 100D X 8ID X 50MM TUBE

NOTES:

- 1) USE ONLY IN CONJUNCTION WITH 8016.
THIS ASSEMBLY SHOULD NOT BE USED ALONE.
- 2) USED TO CONNECT ONE ADDITIONAL IVx3 VALVE TO INJECTION MACHINE.



MAGNUM VENUS PRODUCTS

IVX3 CONTROL MODULE

8015