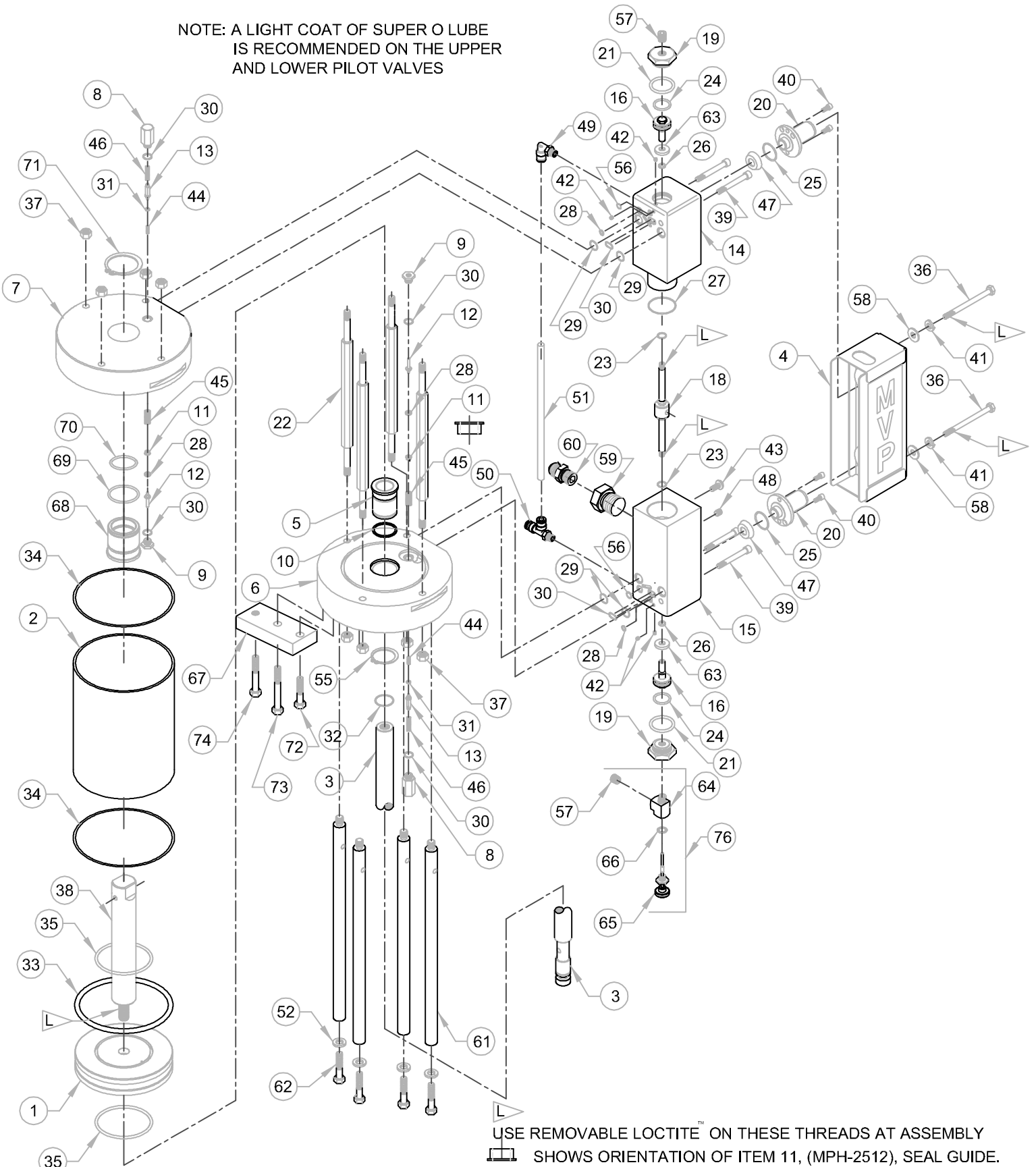


NOTE: A LIGHT COAT OF SUPER O LUBE IS RECOMMENDED ON THE UPPER AND LOWER PILOT VALVES



# MAGNUM VENUS PLASTECH

Assembly - 5" Power Head - Slave Arm Top VPH-5000-P

REV E = ADDED VPH-SB-XL TO OPTIONAL ASSEMBLIES 10/17/05 BT2  
 F = ITEM 51 WAS 01417 11/09/07 BT2  
 G = ADDED SUPER O LUBE NOTE FOR PILOT VALVES 05/25/11 BT2  
 H = CORRECTED ID BUBBLE FOR ITEMS 63 AND 71 03/02/17 BT2

# Assembly - 5" Power Head - Slave Arm Top VPH-5000-P

## PARTS LIST

| ITEM | PART NO.         | QTY   | DESCRIPTION                        |
|------|------------------|-------|------------------------------------|
| 1    | MPH-5006         | 1     | PISTON - 5" PUMP                   |
| 2    | VPH-5002         | 1     | CYLINDER - 5" PUMP X 4" STROKE     |
| 3    | VPH-4259         | 1     | PISTON ROD                         |
| 4    | VPH-5004-01      | 1     | MUFFLER ASSY - 4" STROKE PUMP      |
| 5    | VPH-4254         | 1     | PISTON ROD BUSHING                 |
| 6    | VPH-5008         | 1     | LOWER ENDCAP - 5" PUMP             |
| 7    | VPH-5007         | 1     | UPPER ENDCAP - 5" PUMP             |
| 8    | MPH-2541         | 2     | INLET SPRING HOUSING - PILOT VALVE |
| 9    | MPH-2511-01      | 2     | ASSY - STEM SEAL                   |
| * 10 | O-B-121          | 1     | O-RING                             |
| 11   | MPH-2512         | 2     | SEAL GUIDE                         |
| 12   | MPH-2513         | 2     | VALVE STEM - PILOT VALVE           |
| 13   | MPH-2540         | 2     | INLET ROD - PILOT VALVE            |
| 14   | VPH-5001         | 1     | UPPER VALVE BLOCK - 4" STROKE PUMP |
| 15   | MPH-5001         | 1     | LOWER VALVE BLOCK                  |
| 16   | MPH-2517         | 2     | VALVE PISTON                       |
| 18   | VPH-5005         | 1     | VALVE POPPET                       |
| 19   | MPH-2521         | 2     | VALVE END CAP                      |
| 20   | MPH-5009         | 2     | VALVE EXHAUST                      |
| * 21 | O-B-019          | 2     | O-RING                             |
| 22   | VPH-5003         | 4     | TIE ROD 4" STROKE PUMP             |
| * 23 | O-U-206-90       | 2     | O-RING                             |
| * 24 | O-B-116          | 2     | O-RING                             |
| * 25 | O-B-026          | 2     | O-RING                             |
| * 26 | O-D-010-90       | 2     | O-RING                             |
| * 27 | O-B-125          | 1     | O-RING                             |
| * 28 | O-B-008          | 4     | O-RING                             |
| * 29 | O-B-014          | 4     | O-RING                             |
| * 30 | O-B-012          | 6     | O-RING                             |
| * 31 | O-U-006          | 2     | O-RING                             |
| * 32 | O-B-118          | 1     | O-RING                             |
| * 33 | O-B-425          | 1     | O-RING                             |
| * 34 | O-B-159          | 2     | O-RING                             |
| * 35 | O-B-415          | 2     | O-RING                             |
| 36   | F-HB-04C-56-SS   | 2     | HEX HEAD CAP SCREW                 |
| 37   | F-HN-06F         | 8     | HEX NUT                            |
| 38   | VPH-7004         | 1     | UPPER PISTON ROD                   |
| 39   | F-CS-04C-40-SS   | 4     | SOCKET HEAD CAP SCREW              |
| 40   | F-CS-04C-08-SS   | 4     | SOCKET HEAD CAP SCREW              |
| 41   | F-SW-04-SS       | 2     | LOCK WASHER                        |
| 42   | F-SS-832-02-SS   | 4     | CUP POINT SET SCREW                |
| 43   | F-BHCS-04C-16-SS | 1     | BUTTON HEAD CAP SCREW              |
| 44   | MPH-2526         | 2     | SPRING                             |
| 45   | MPH-2528         | 2     | SPRING                             |
| 46   | MPH-2533         | 2     | SPRING                             |
| * 47 | MPH-5010         | 2     | DIAPHRAGM                          |
| 48   | PF-AP-04-SS      | 1     | PIPE PLUG                          |
| 49   | MPH-2539         | 1     | PUSH POLY FITTING - MALE ELBOW     |
| 50   | MPH-2538         | 1     | PUSH POLY FITTING - MALE TEE       |
| 51   | MS-2052-1        | .56ft | Ø1/4 x 6-3/4 POLY TUBING           |
| 52   | F-SW-06          | 4     | LOCK WASHER                        |
| 55   | MPH-3261         | 1     | SNAP - RING                        |
| * 56 | O-B-011          | 2     | O-RING                             |
| 57   | PF-AP-02-SS      | 2     | PIPE PLUG                          |
| 58   | F-FW-04          | 2     | FLAT WASHER                        |
| 59   | PF-RB-08-06      | 1     | PIPE BUSHING                       |
| 60   | PF-HN-06-06S     | 1     | ADAPTER                            |
| 61   | 2104-4-1         | 4     | TIE ROD                            |
| 62   | F-HB-06C-24-GR8  | 4     | GRADE 8 HEX CAP SCREW              |
| 63   | MPH-3262         | 2     | PISTON STOP                        |
| 64   | 00276            | 1     | TEE FITTING                        |

## PARTS LIST

| ITEM | PART NO.        | QTY | DESCRIPTION                  |
|------|-----------------|-----|------------------------------|
| 65   | MPH-2546-01     | 1   | VALVE STEM                   |
| 66   | MPH-2545        | 1   | SEAL                         |
| 67   | VPH-7006        | 1   | MOUNT BLOCK                  |
| 68   | VPH-7005        | 1   | BUSHING                      |
| * 69 | O-B-127         | 1   | O-RING                       |
| * 70 | O-B-124         | 1   | O-RING                       |
| 71   | 7205-2-6        | 1   | SNAP RING                    |
| 72   | F-HB-06C-20     | 1   | HEX CAP SCREW                |
| 73   | F-HB-06C-40     | 1   | HEX CAP SCREW                |
| 74   | F-HB-06C-32     | 1   | HEX CAP SCREW                |
| 75   | DONOTOILAIMOTOR | 1   | DO NOT OIL DECAL (NOT SHOWN) |

## OPTIONAL PARTS AND ASSEMBLIES

### PARTS LIST

| ITEM | PART NO.  | QTY | DESCRIPTION       |
|------|-----------|-----|-------------------|
| 76   | MPH-2542  | 1   | RESET BUTTON ASSY |
|      | VPH-SB-XL | 1   | SHIFT BLOCK ASSY  |

\* COMPONENTS INCLUDED WITH SEAL KIT.

## REPAIR KITS

| PART NO.        | DESCRIPTION |
|-----------------|-------------|
| * VPH-5000-P-SK | SEAL KIT    |

FIGURE 1-1

