

MAGNUM VENUS PRODUCTS

MULTI-COLOR FLUID SECTION ASSEMBLY

MCPA-4600

Fluid Section Assembly MCPA-4600

PARTS LIST

ITEM	PART NO.	QTY	DESCRIPTION
1	VLS-4607	1	SOLVENT CUP
2	3108-1-1	1	PUMP MOUNTING PLATE
3	VLS-4603	1	GUIDE BEARING
4	VLS-4604	1	FEMALE COMPRESSION RING
* 5	VLS-4605	1	PACKING SET SPA
6	VLS-4606	1	MALE COMPRESSION RING
7	VLS-4610	10	WAVE SPRING
8	VLS-4611	1	SPRING SUPPORT RING
9	VLS-4601	1	OUTLET BODY
10	F-HB-06C-24-GR8	4	HEX BOLT
11	MCPA-2501	1	PISTON ROD ADAPTER
12	VLS-4609	1	PISTON ROD
13	VLS-4614	1	PISTON BALL SPRING
* 14	ALS-1018	1	7/8" BALL
15	VLS-4619	1	PISTON BODY
* 16	VLS-4615	2	PISTON CUP
17	VLS-4616	1	PISTON CUP SPACER
18	VLS-4617	1	PISTON CUP BACK-UP
19	VLS-4618	1	PISTON NUT
* 20	O-V-137-90	2	O-RING
21	VLS-4608	1	CYLINDER
22	VLS-4620	1	BALL STOP
23	VLS-4621	1	FOOT VALVE BALL SPRING
* 24	VLS-4622	1	1 1/4" BALL
25	VLS-4602	1	FOOT VALVE
26	VLS-4623	2	TIE ROD
27	VLS-4624	1	FOOT VALVE COLLAR
28	F-HN-08C	2	HEX NUT
29	F-HB-08C-16	2	HEX BOLT
30	F-SW-06	4	LOCK WASHER
31	F-RP-04-16	2	ALIGNMENT PIN
32	09528	1	HITCH PIN
33	PF-SW-12M-08F	1	SWIVEL
34	PF-ME-16J-16	1	SWIVEL ELBOW

REPAIR KITS

PART NO.	DESCRIPTION
* VLS-46RK-4T-2T	REPAIR KIT

TOOLS

PART NO.	DESCRIPTION
45011-1	PISTON BODY WRENCH

OPTIONAL PARTS AND ASSY PARTS LIST

ITEM	PART NO.	QTY	DESCRIPTION
	* 6706-2-1	1	PUMP GREASE
17A	3101-13-2	1	HARDENED SPACER
18A	3101-14-2	1	HARDENED BACK-UP RING
21A	3101-24-1	1	HARDENED CYLINDER

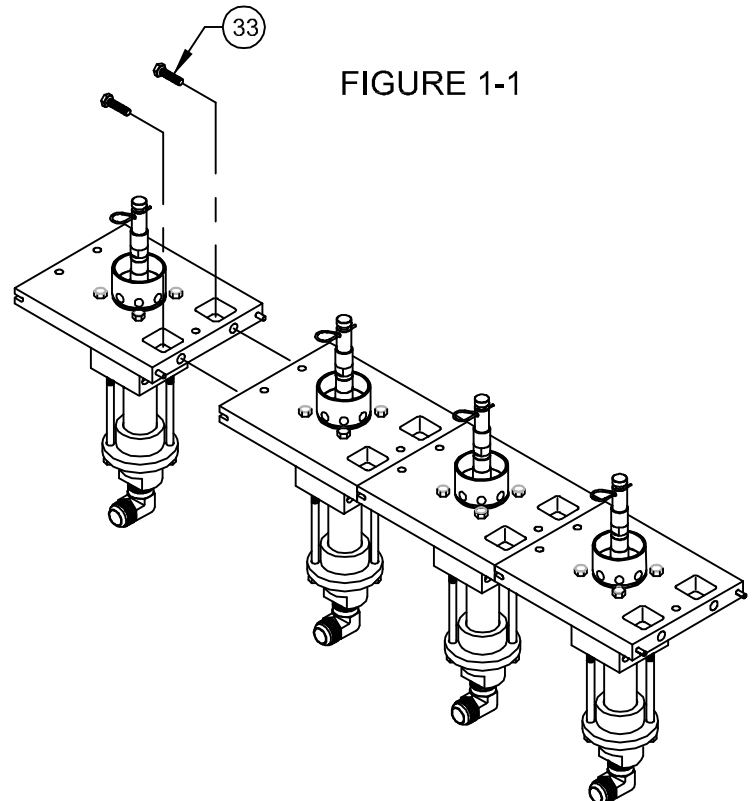


FIGURE 1-1