

MAGNUM VENUS PLASTECH

Multi-Color Fluid Section Assy

MCPA-2500

REV. E = DELETED ITEM 2 PF-AP-02, ADDED ITEM 34 F-SW-06 10/12/06 BT2
 REV. F = MOVED ITEM 12 TO OPTIONAL EQUIPMENT 09/28/07 BT2
 REV. G = ADDED REPAIR KIT TO DRAWING 02/04/09 BT2
 REV. H = ITEM 28 WAS PF-SE-SW-12 06/26/14 BT2

Multi-Color Fluid Section Assy MCPA-2500

PARTS LIST

ITEM	PART NO.	QTY	DESCRIPTION
1	VLS-2407	1	PACKING NUT
3	VLS-2403	1	GUIDE BEARING
4	VLS-2404	1	FEMALE COMP RING
* 5	VLS-2405	1	PISTON ROD PACK SPA
6	VLS-2406	1	MALE COMP RING
7	VLS-2410	10	WAVE SPRING
8	VLS-2401	1	OUTLET BODY
9	F-HB-06C-24-GR8	4	HEX HEAD BOLT
10	MCPA-2501	1	PISTON ROD ADAPTER
11	VLS-2409	1	PISTON ROD SPA
13	VLS-2414	1	PISTON BALL SPRING
* 14	VLS-2426	1	1/2" CHROME BALL
15	VLS-2429	1	PISTON CUP COMP RING
* 16	VLS-2415	2	PISTON CUP
17	VLS-2416	1	PISTON CUP SPACER
18	VLS-2417	1	PISTON CUP BACKUP
19	VLS-2419	1	PISTON BODY
* 20	O-V-129	2	O-RING
21	VLS-2408	1	CYLINDER BODY
22	VLS-2420	1	BALL STOP
23	VLS-2428	1	4 LOBED BALL GUIDE
* 24	VLS-2427	1	3/4" CHROME BALL
25	VLS-2402	1	FOOT VALVE BODY
26	VLS-2424	1	FOOT VALVE COLLAR
27	F-HB-06C-104-GR8	2	HEX HEAD BOLT
28	PF-ME-12-12J	1	ELBOW FITTING
29	PF-SW-06M-08F	1	SWIVEL ADAPTER
30	09528	1	HITCH PIN
31	3108-1-1	1	PUMP MOUNTING PLATE
32	F-RP-04-16	2	ALIGNMENT PIN
33	F-HB-08C-16	2	HEX HEAD BOLT
34	F-SW-06	4	LOCK WASHER

REPAIR KITS

PART NO.	DESCRIPTION
* VLS-24RK-4T-2T	REPAIR KIT

OPTIONAL PARTS LIST

ITEM	PART NO.	QTY	DESCRIPTION
12	VLS-2425	1	DOWEL PIN (PART OF ITEM # 11)
	* 6706-2-1	1	PUMP GREASE

NOTE:

1. INSTALL WITH RIDGES UP

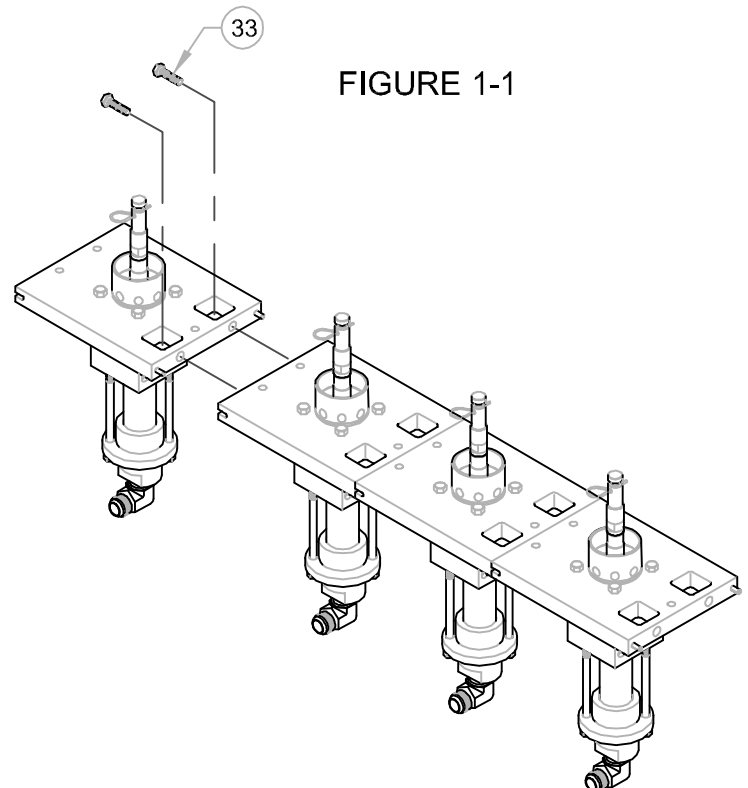


FIGURE 1-1